

P1V-M is a series of air motors, with or without planetary gearbox. they are made of casted iron and grey painted. Its robustness makes it suitable for all industrial air motor applications.

P1V-M Air Motors are ATEX certified to be used in critical environments. The range contains five different sizes with power ratings of 200, 400, 600, 900 and 1200 Watts.

The motor and the gearbox are built to be extremely compact, making the motors suitable for applications requiring spaceless. The gearbox is of the planetary type, permanently lubricated with grease. The flange mounting is cast as an integral part of the case, and give, together with the foot bracket, plenty of opportunity for simple and robust installation.



- Power 0,2 kW, 0,4 kW, 0,6 kW, 0,9 kW & 1.2 kW
- ATEX certified
- Patented method for simple change of vanes
- Free speeds from 32 up to 10000 rpm
- Torque from 0,38 Nm up to 120 Nm by max output power
- Standard equipped with flange mounting
- Foot mountings as accesories

Operating information

Working pressure	Max 7 bar
Working temperature	-20 °C to +110 °C
Medium	Filtered dry air and oil mist, purity class ISO 8573-1 class 3.-.5 for indoor use and with a dew point lower than ambient temperature for outdoor use.

Robust motor reversible with keyed shaft, flange

Max power	Free speed*	Nominal speed	Nominal torque	Min start torque	Air consumption at max power	Conn.	Min pipe ID	Weight	Order code
kW	rpm	rpm	Nm	Nm	l/s		mm	Kg	
0,200	10 000	5 000	0,38	0,57	5	G1/8	10	1,00	P1V-M020B0A00
0,400	10 000	5 000	0,76	1,10	10	G3/8	12	1,40	P1V-M040B0A00
0,600	10 000	5 000	1,10	1,70	15	G3/8	13	1,60	P1V-M060B0A00
0,900	10 500	5 250	1,60	2,40	36,7	G1/2	13	3,10	P1V-M090B0A00
1,200	10 500	5 250	2,20	3,30	43,3	G1/2	13	3,80	P1V-M120B0A00

* maximum admissible speed (idling)

Robust reversible motor with keyed shaft, flange

Max power	Free speed*	Nominal speed	Nominal torque	Min start torque	Air consumption at max power	Conn.	Min pipe ID	Weight	Order code
kW	rpm	rpm	Nm	Nm	l/s		mm	Kg	
0,200	2 300	1 150	1,60	2,40	5	G1/8	10	2,40	P1V-M020C0230
0,200	1 460	730	2,60	3,90	5	G1/8	10	2,40	P1V-M020C0146
0,200	540	270	7,00	10,50	5	G1/8	10	2,80	P1V-M020C0054
0,200	340	170	11,20	16,80	5	G1/8	10	2,80	P1V-M020C0034
0,200	210	105	18,20	27,30	5	G1/8	10	2,80	P1V-M020C0021
0,200	120	60	31,80	47,70	5	G1/8	10	3,20	P1V-M020C0012
0,200	80	40	47,80	71,70	5	G1/8	10	3,20	P1V-M020C0008
0,200	32	16	80**	80**	5	G1/8	10	3,20	P1V-M020C0003

* maximum admissible speed (idling) / ** gear box restriction

Robust reversible motor with keyed shaft, flange

Max power	Free speed*	Nominal speed	Nominal torque	Min start torque	Air consumption at max power	Conn.	Min pipe ID	Weight	Order code
kW	rpm	rpm	Nm	Nm	l/s		mm	Kg	
0,400	2 300	1 150	3,20	4,80	10	G3/8	12	2,80	P1V-M040C0230
0,400	1 460	730	5,20	7,80	10	G3/8	12	2,80	P1V-M040C0146
0,400	540	270	14,00	21,00	10	G3/8	12	3,20	P1V-M040C0054
0,400	340	170	22,40	33,60	10	G3/8	12	3,20	P1V-M040C0034
0,400	210	105	36,40	54,60	10	G3/8	12	3,20	P1V-M040C0021
0,400	120	60	63,60	80**	10	G3/8	12	3,60	P1V-M040C0012
0,400	80	40	80**	80**	10	G3/8	12	3,60	P1V-M040C0008

* maximum admissible speed (idling) / ** gear box restriction

Robust reversible motor with keyed shaft, flange

Max power	Free speed*	Nominal speed	Nominal torque	Min start torque	Air consumption at max power	Conn.	Min pipe ID	Weight	Order code
kW	rpm	rpm	Nm	Nm	l/s		mm	Kg	
0,600	2 300	1 150	5,00	7,50	15	G3/8	13	3,00	P1V-M060C0230
0,600	1 460	730	7,80	11,70	15	G3/8	13	3,00	P1V-M060C0146
0,600	540	270	21,00	31,50	15	G3/8	13	3,40	P1V-M060C0054
0,600	340	170	33,60	50,40	15	G3/8	13	3,40	P1V-M060C0034
0,600	210	105	54,50	80**	15	G3/8	13	3,40	P1V-M060C0021
0,600	120	60	80**	80**	15	G3/8	13	3,80	P1V-M060C0012

* maximum admissible speed (idling) / ** gear box restriction

Robust motor reversible with keyed shaft, flange

Max power	Free speed*	Nominal speed	Nominal torque	Min start torque	Air consumption at max power	Conn.	Min pipe ID	Weight	Order code
kW	rpm	rpm	Nm	Nm	l/s		mm	Kg	
0,900	2 450	1 225	7,00	10,50	36,7	G1/2	13	4,90	P1V-M090C0245
0,900	1 560	780	11,00	16,50	36,7	G1/2	13	4,90	P1V-M090C0156
0,900	580	290	30,00	45,00	36,7	G1/2	13	5,60	P1V-M090C0058
0,900	360	180	47,00	71,00	36,7	G1/2	13	5,60	P1V-M090C0036
0,900	230	115	75,00	112,00	36,7	G1/2	13	5,60	P1V-M090C0023
0,900	134	67	120**	120**	36,7	G1/2	13	6,30	P1V-M090C0013
0,900	90	45	120**	120**	36,7	G1/2	13	6,30	P1V-M090C0009
0,900	40	20	120**	120**	36,7	G1/2	13	6,30	P1V-M090C0004

* maximum admissible speed (idling) / ** gear box restriction

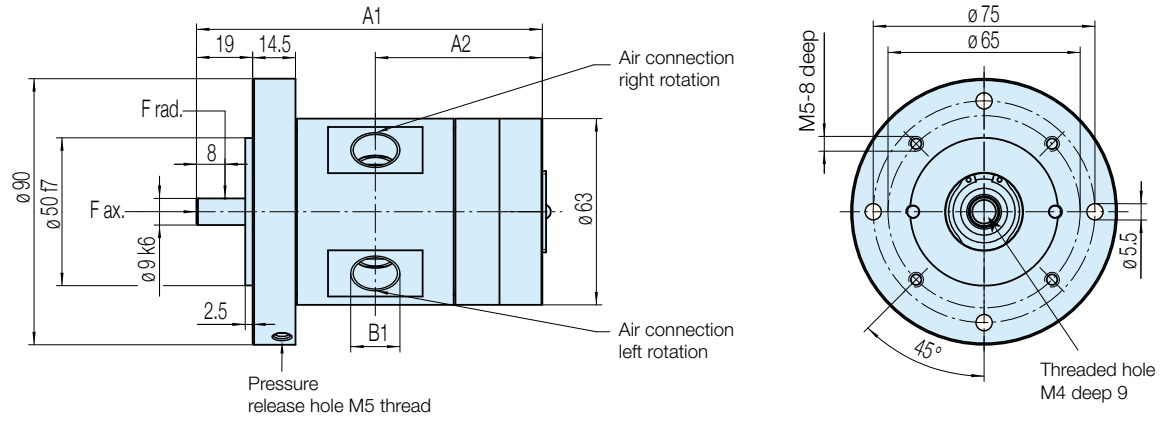
Robust motor reversible with keyed shaft, flange

Max power	Free speed*	Nominal speed	Nominal torque	Min start torque	Air consumption at max power	Conn.	Min pipe ID	Weight	Order code
kW	rpm	rpm	Nm	Nm	l/s		mm	Kg	
1,20	2 450	1 225	9,40	14,00	43,3	G1/2	13	5,60	P1V-M120C0245
1,20	1 560	780	14,70	22,00	43,3	G1/2	13	5,60	P1V-M120C0156
1,20	580	290	40,00	60,00	43,3	G1/2	13	6,30	P1V-M120C0058
1,20	360	180	63,00	94,00	43,3	G1/2	13	6,30	P1V-M120C0036
1,20	230	115	100,00	120**	43,3	G1/2	13	6,30	P1V-M120C0023

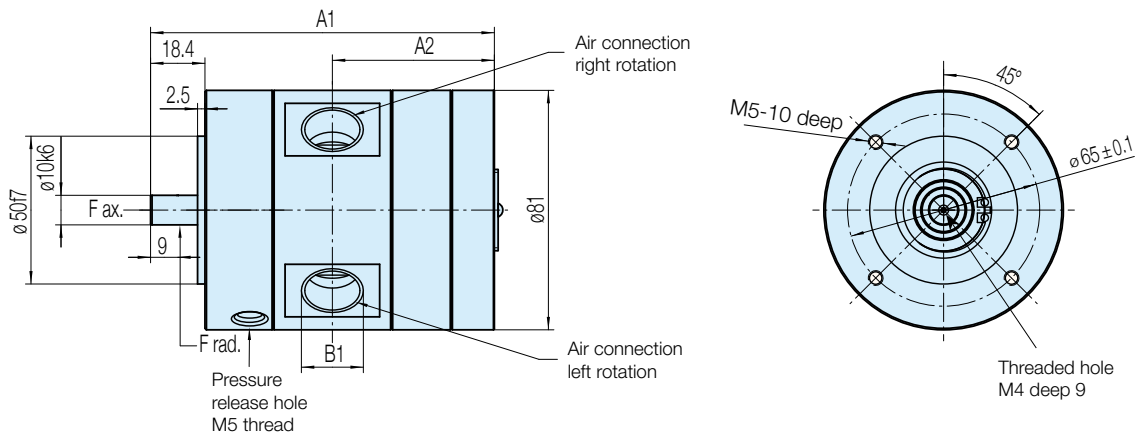
* maximum admissible speed (idling) / ** gear box restriction

Dimensions (mm)

Motor **P1V-M020B0A00**
P1V-M040B0A00
P1V-M060B0A00



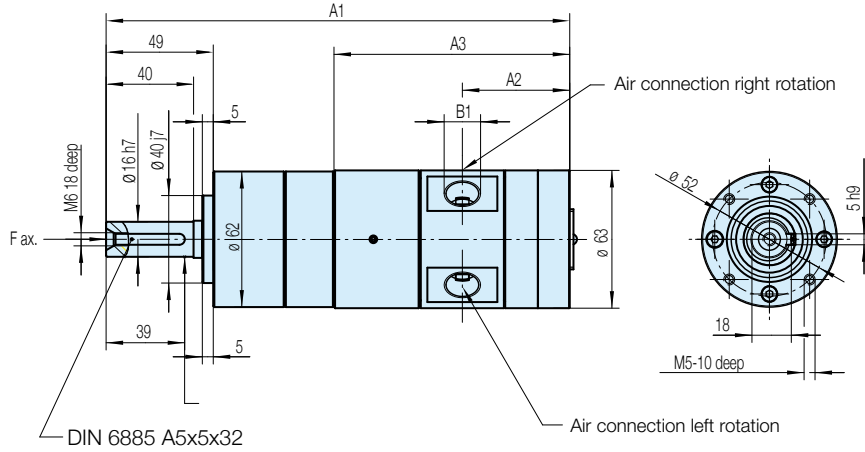
Motor **P1V-M090B0A00**
P1V-M120B0A00



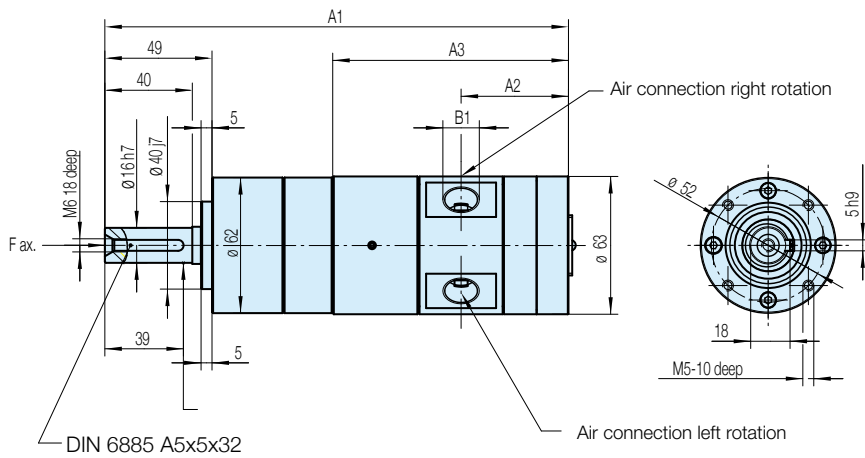
Motor type	Dimensions (mm)			
	A1	A2	B1	Key on shaft
P1V-M020B0A00	82	39	G1/8	DIN6885 A3x3x10
P1V-M040B0A00	102	49	G3/8	DIN6885 A3x3x10
P1V-M060B0A00	117	56.5	G3/8	DIN6885 A3x3x10
P1V-M090B0A00	116.3	54.8	G1/2	DIN6885 A3x3x18
P1V-M120B0A00	136.3	64.3	G1/2	DIN6885 A3x3x18

Dimensions (mm)

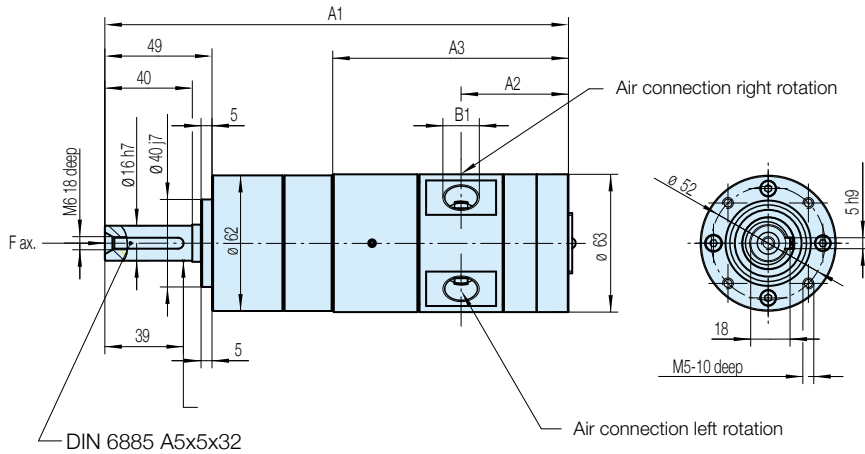
Motor P1V-M020C



Motor P1V-M040C



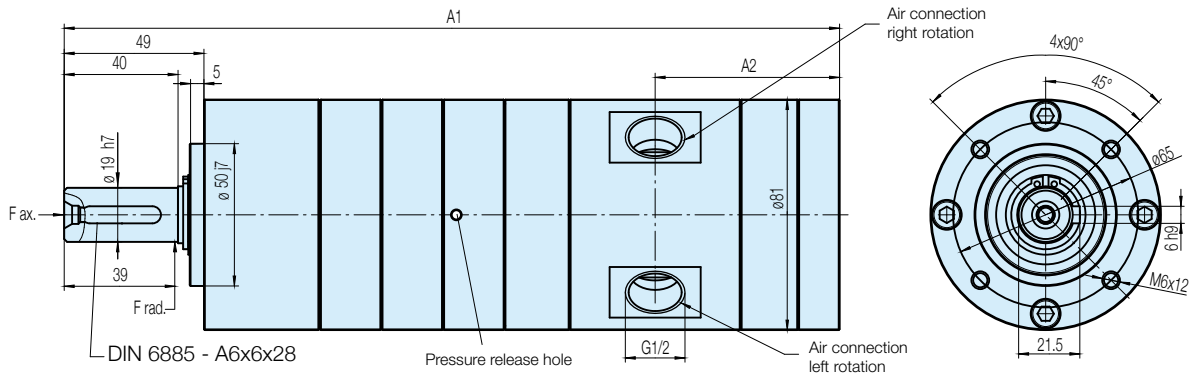
Motor P1V-M060C



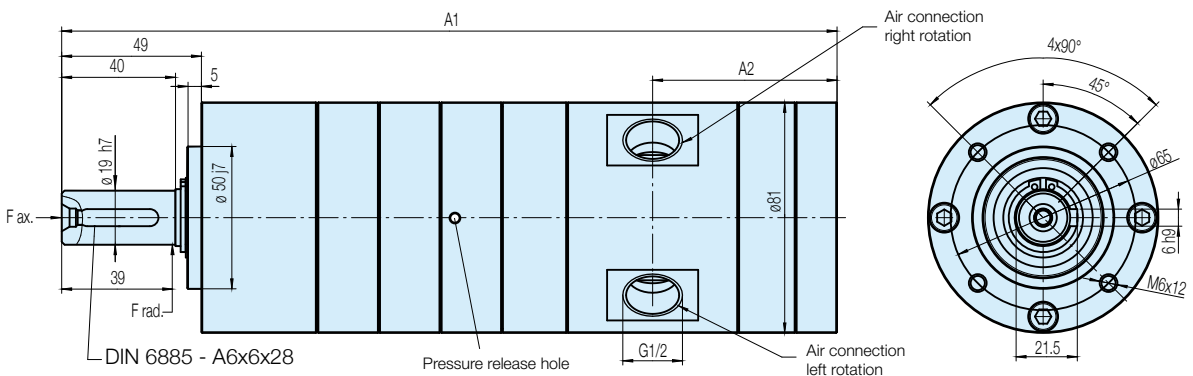
Motor size				Dimensions (mm)			
				A1	A2	A3	B1
200 watts	P1V-M020C0230	P1V-M020C0034		192.5	39	88	G1/8
	P1V-M020C0146	P1V-M020C0021	P1V-M020C0008	208.5	39	88	G1/8
	P1V-M020C0054	P1V-M020C0012	P1V-M020C0003	224	39	88	G1/8
400 watts	P1V-M040C0230	P1V-M040C0034		212.5	49	108	G3/8
	P1V-M040C0146	P1V-M040C0021	P1V-M040C0008	228.5	49	108	G3/8
	P1V-M040C0054	P1V-M040C0012		244	49	108	G3/8
600 watts	P1V-M060C0230	P1V-M060C0034		227.5	56.5	123	G3/8
	P1V-M060C0146	P1V-M060C0021	P1V-M060C0012	243.5	56.5	123	G3/8
	P1V-M060C0054			259	56.5	123	G3/8

Dimensions (mm)

Motor P1V-M090C



Motor P1V-M120C



Motor size				Dimensions (mm)	
				A1	A2
900 watts	P1V-M090C0245	P1V-M090C0156		209	55
	P1V-M090C0058	P1V-M090C0036	P1V-M090C0023	231	55
	P1V-M090C0013	P1V-M090C0009	P1V-M090C0004	252.5	55
1200 watts	P1V-M120C0245	P1V-M120C0156		229	65
	P1V-M120C0058	P1V-M120C0036	P1V-M120C0023	251	65