

Rotary actuators are an efficient and easy way to generate torque from compressed air, in a very compact size. They are ideal for the compact applications in a wide range of industries such as, packaging, process, electronics etc.



- Compact design
- Durable construction
- Long maintenance-free life
- High output torque/weight ratio
- Wide choice of torques available (up to 247 Nm)
- Range of mounting option, hydro-cushioning and position sensors

Operating information

Working pressure: Max 10 bar
 Permissible fluid: Filtered (<5µ) with or without lubrication
 Standard working temperature:
 PRN/PRO 3 to 20 -5°C to +80°C
 Other models -5°C to +60°C

Prelubricated, further lubrication is not normally necessary. If additional lubrication is introduced it must be continued.
 For more information see www.parker.com/euro_pneumatic

PRN miniature (fixed oscillating angle)

Single vane	Torque at 6 bar (N.m)	Oscillating reference point		Order code	Oscillating angle		
		45°	90°		180°	270°	
PRNA1S	0,16	X		PRNA1S-90-90	PRNA1S-180-90		
PRNA3S	0,38	X		PRNA3S-90-90	PRNA3S-180-90		
PRNA10S	1,20	X		PRNA10S-90-90	PRNA10S-180-90		
PRNA20S	2,10	X		PRNA20S-90-90	PRNA20S-180-90		
PRN30SE	4,10	X		PRN30SE-90-45	PRN30SE-180-45	PRN30SE-270-45	
Double vane							
PRNA3D	0,65			PRNA3D-90-45			
PRNA10D	2,54			PRNA10D-90-45			
PRNA20D	4,70			PRNA20D-90-45			
PRN30DE	9,50			PRN30DE-90-45			

PRO (adjustable oscillating angle)

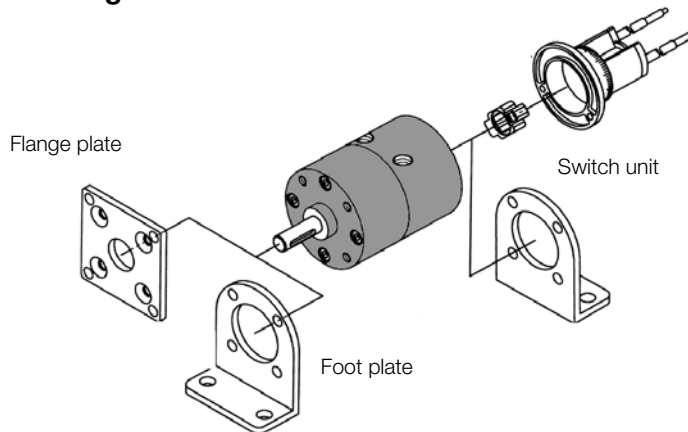
Single vane	Torque at 6bar (N.m)	Oscillating angle	Order code	Double vane	Torque at 6bar (N.m)	Oscillating angle	Order code
	0,38	30 to 180°	PROA3S-0-90		0,65	30 to 90°	PROA3D-0-45
	1,20	30 to 180°	PROA10S-0-90		2,54	30 to 90°	PROA10D-0-45
	2,10	30 to 180°	PROA20S-0-90		4,70	30 to 90°	PROA20D-0-45
	4,10	30 to 270°	PRO30SE-0-45		9,50	30 to 90°	PRO30DE-0-45

PRN high torque range (fixed oscillating angle)

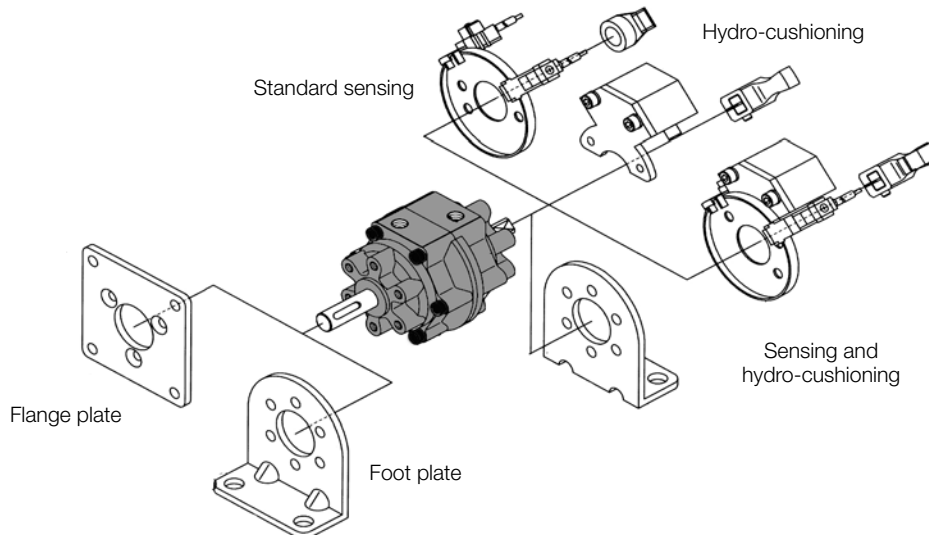
Single vane	Torque at 6 bar (N.m)	Oscillating angle	Order code
PRN50SE	5,9	90°	PRN50SE-90-45
PRN150SE	18,0	180°	PRN150SE-180-45
PRN300SE	34,5	270°	PRN300SE-270-45
PRN800SE	123,0	180°	PRN800SE-180-45
Double vane (oscillating angle 45°)			
PRN50DE	12,8	90°	PRN50DE-90-45
PRN150DE	41,5	180°	PRN150DE-180-45
PRN300DE	83,0	270°	PRN300DE-270-45
PRN800DE	247,0	180°	PRN800DE-180-45

Design Variants

PRO and miniature PRN ranges



PRN high torque range



Hydro-cushion for PRN050 to PRN800 rotary actuators

Rotary actuator	Hydro-cushion	Claw for hydro-cushion - Oscillating angle		
		90°	180°	270°
PRN50S	CRN50	CRN50-90-45-T	CRN50-180-45-T	CRN50-270-45-T
PRN150S	CRN150	CRN150-90-45-T	CRN150-180-45-T	CRN150-270-45-T
PRN300S	CRN300	CRN300-90-45-T	CRN300-180-45-T	CRN300-270-45-T
PRN50D	CRN50	CRN50-90-45-T		
PRN150D	CRN150	CRN150-90-45-T		
PRN300D	CRN300	CRN300-90-45-T		