

Miniature high-speed valves in stand alone, stackable or combined modules, incorporating standard logic functions. The range also includes timers and impulse modules.

- Complete range
- Stand alone, stackable or combinable modules
- Very fast response time
- Flexible and highly maintainable system
- DIN rail mounting
- Ø 4mm connection



Operating information

Working pressure	3 to 8 bar
Working temperature	-15 °C to 60 °C
Flow (Qmax)	180 l/min (PRD = 60 l/min)
ATEX approval:	CE Ex II 2 GD c 85°C
For more information see www.parker.com/euro_pneumatic	

 **For ATEX specific products contact Sales Office**

Logic sequencer

Step modules



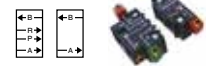
	Order code
Without sub base	PSM-A10
Pneumatic output	
Visual indication of pneumatic output and manual override	PSM-A12
With sub base	PSM-B12
Without manual override	

Step module subbase



	Order code
Subbase	PSB-A12
Additional interlock	PSV-A12

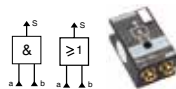
Set of head and tail modules and deviation modules



	Order code
Head & tail set	PSE-A12
Deviation standard	PSD-A12
Deviation for remote	PSD-B12

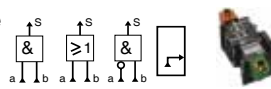
Logic elements

Line mounted elements



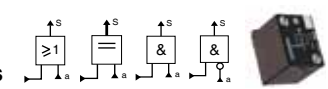
Logic Function	Order code
AND	PLL-A11
OR	PLK-A11
Clip on Din-rail	PZM-L199

Combinable elements



Logic Function	Order code
AND	PLL-B12
OR	PLK-B12
NOT	PLN-B12
INPUT	PLE-B12

Subbase mounted elements



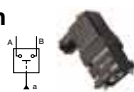
Logic Function	Order code
AND	PLL-C10
NOT inhibit standard	PLN-C10
NOT inhibit threshold	PLN-D10
OR	PLK-C10
YES regenerated	PLJ-C10

3 port subbase to be ordered separately.

Logic relays

Pressure switch

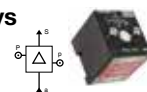
To be used with 3 port subbase



	Order code
With subbase	PRE-A12
Without subbase	PRE-A10

Amplifier relays

To be used with 4 port subbase



	Order code
With subbase	PRD-A12
Without subbase	PRD-A10

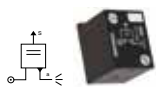
Memory relays

To be used with 4 port subbase



	Order code
With subbase	PLM-A12
Without subbase	PLM-A10

Sensor relays



	Order code
With subbase	PRF-A12
Without subbase	PRF-A10

Time delay relays

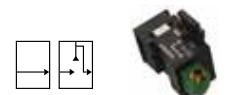
To be mounted on 3 port subbase



Function	Timing	Order code
Output after timed period	0,1 to 3s	PRT-E10
	0,1 to 30s	PRT-A10
	10 to 180s	PRT-B10
With subbase	0,1 to 30s	PRT-A12
Output during timed period	0,1 to 3s	PRT-F10
	0,1 to 30s	PRT-C10
	10 to 180s	PRT-D10

Subbase for logic elements and relays

3 port and 4 port subbases

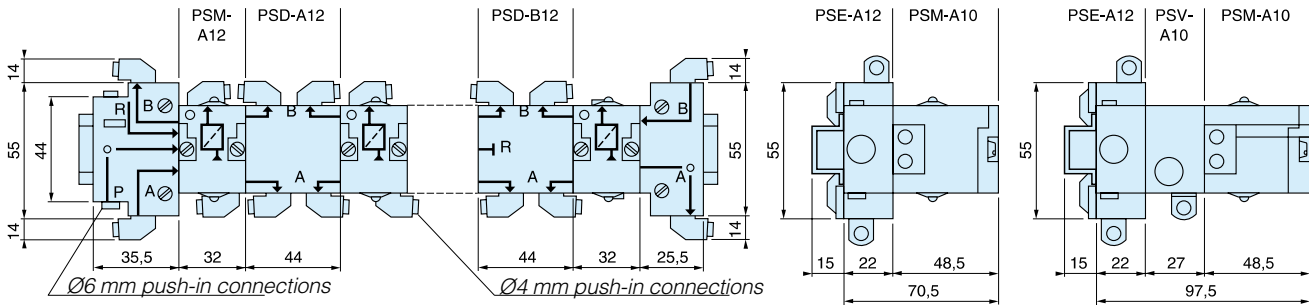


	Order code
Input module	PZU-E12
3 port "common input"	PZU-A12
3 port "cascade"	PZU-C12
4 port subbase*	PZU-B12

* For combination with memory relay and amplified relay.

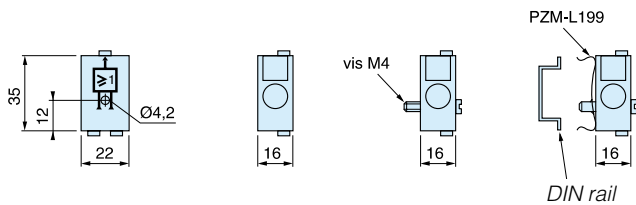
Dimensions, Logic processing

Modular sequencer



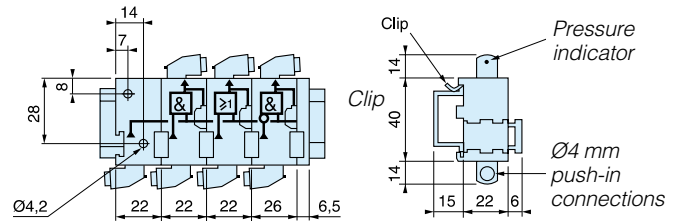
Line mounted logic elements

PLL-A11 and PLK-A11



Combinable logic elements

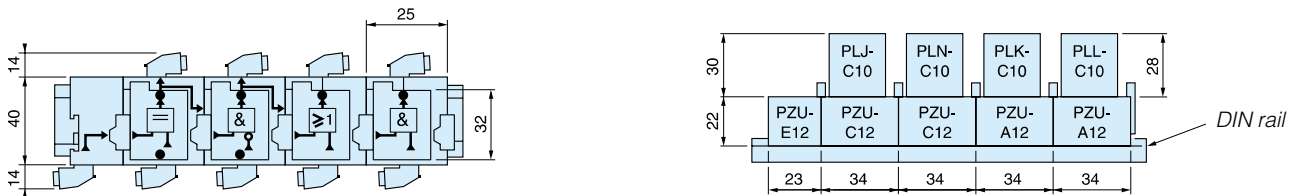
PLE-B12 — PLL-B12 — PLK-B12 and PLN-B12



Logic elements mounted on 3-port modular subbases

PZU-E12

PLJ-C10 — PLN-C10 — PLK-C10 and PLL-C10 mounted on PZU-C12 and PZU-A12

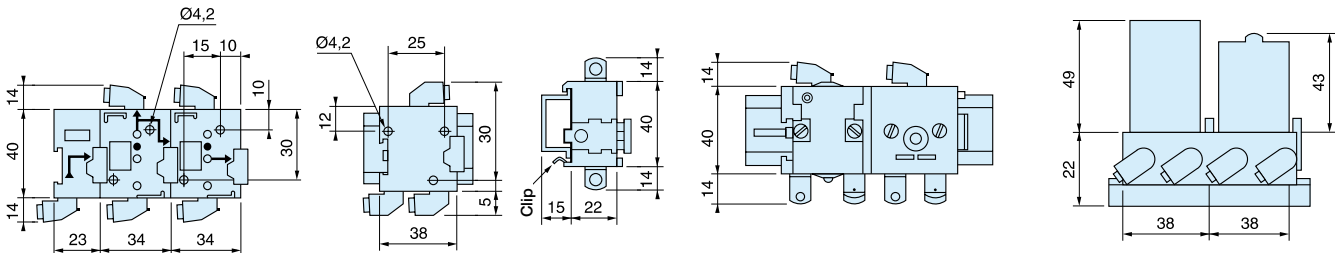


3 and 4-port modular subbases

PZU-E12 — PZU-C12 — PZU-A12 PZU-B12

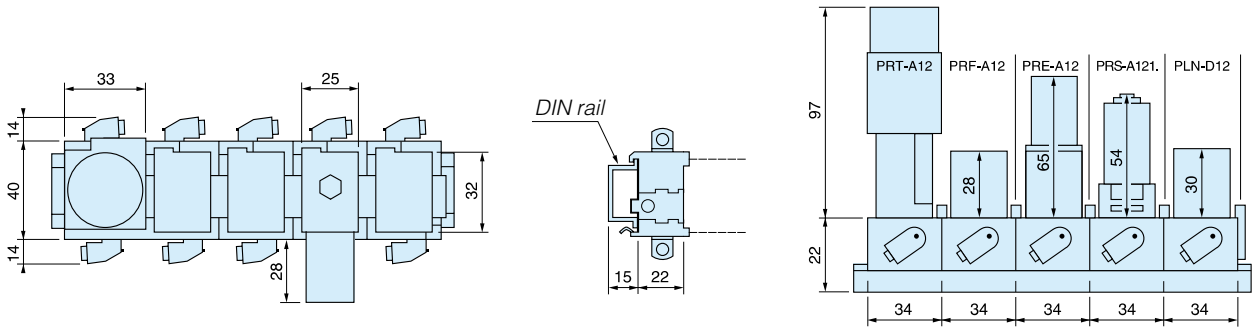
Relays mounted on 4-port modular subbases

PLM-A12 and PRD-A12



Relays mounted on 3-port modular subbases

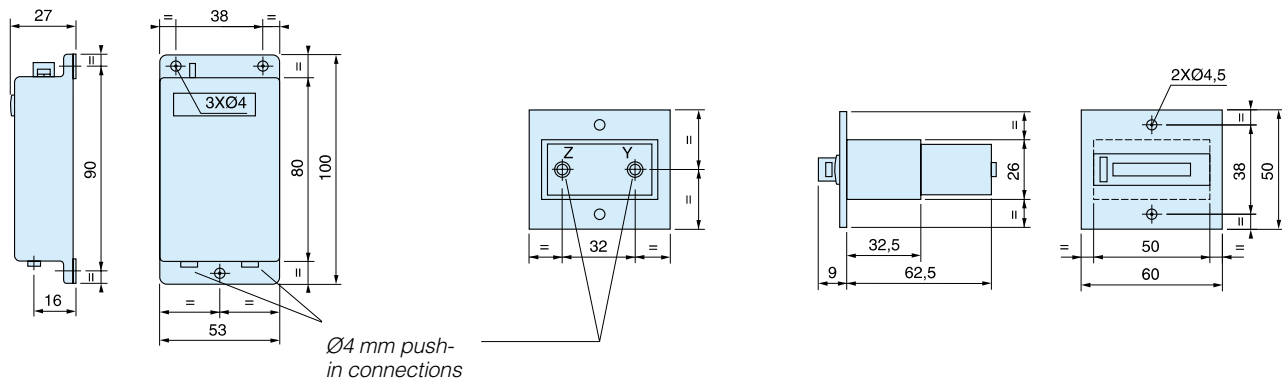
PRT-A12 — PRF-A12 — PRE-A12 — PRS-A121 and PLN-D12



Totalling counters

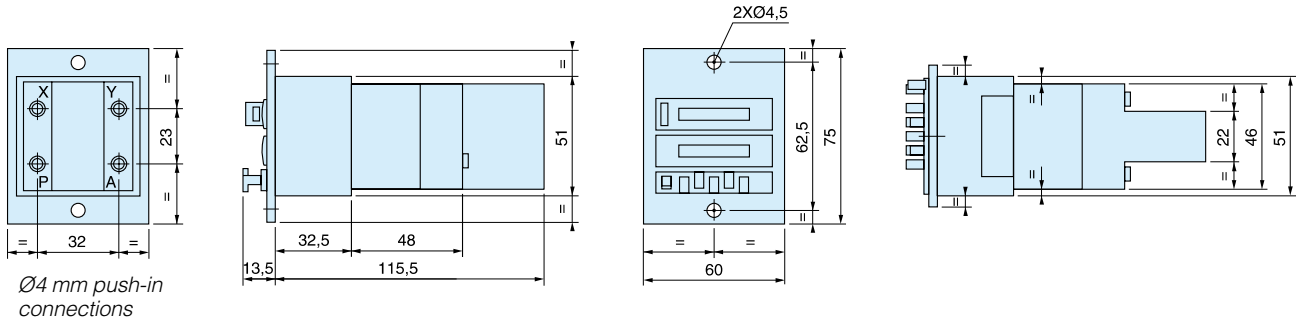
PCT-A11

PCT-B11



Digital display timers

PCM-A11 to PCM-B11



Timers with calibrated dial

PCM-F11 and PCM-G11

