

- 12 mm solenoids sub-base mounting type
- Instant push-in fittings for inlet (Ø 8 mm) and outlets (Ø 4 mm)
- Brass silencer
- Quick response time
- Multi-functional manual override



Operating Information		Materials	
Working pressure	0,9 to 8 bar	Manifold complete :	Polyamide Aluminium
Power DC	1 W	Armature tube:	Brass Stainless steel
Voltage	24 VDC	Plunger & core:	Corrosion resistant Cr-Ni steel
Voltage tolerance	+/- 10 %	Seals:	FKM (Viton™) Low temp FKM
Electrical connection	M8	Screws:	Zinc plated Stainless steel
Flow rate at 6 bar input, 1 bar pressure drop	15NI/min	Coil	
Valve function	3/2 NC	Encapsulation material:	Thermoplastic as standard thermoset resin for M12 connection
Response time	5 ms		
Frequency	200 cycles/min		

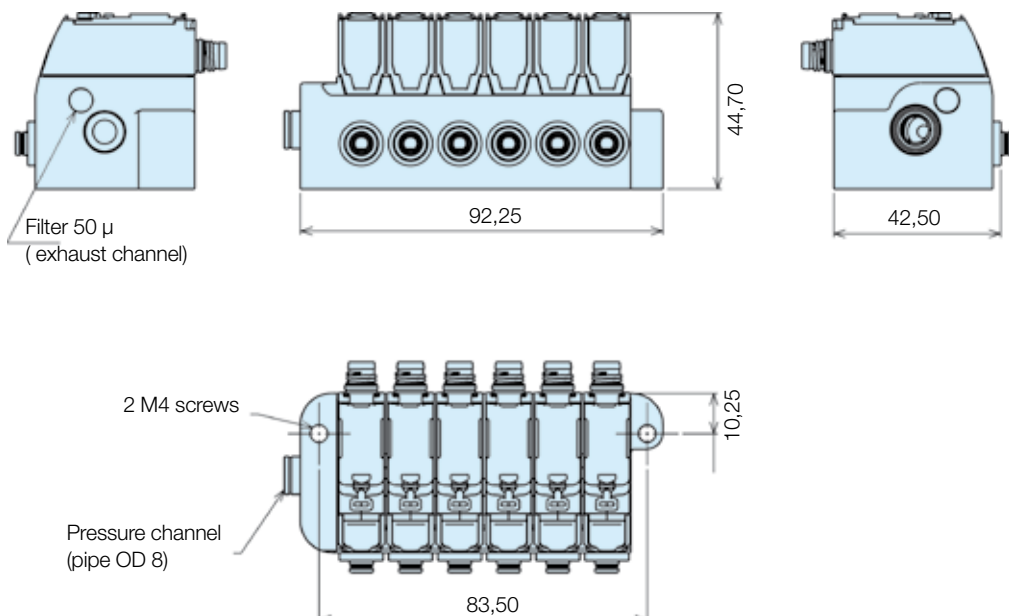
Order codes

Designation		Weight (kg)	Order code
5 stations manifold complete		0,130	P2DFIX5PC
6 stations manifold complete		0,155	P2DFIX6PC
Electrical connector *	2 m	-	P8LS08L226C
	5 m	-	P8LS08L526C
	9 m	-	P8LS08L926C

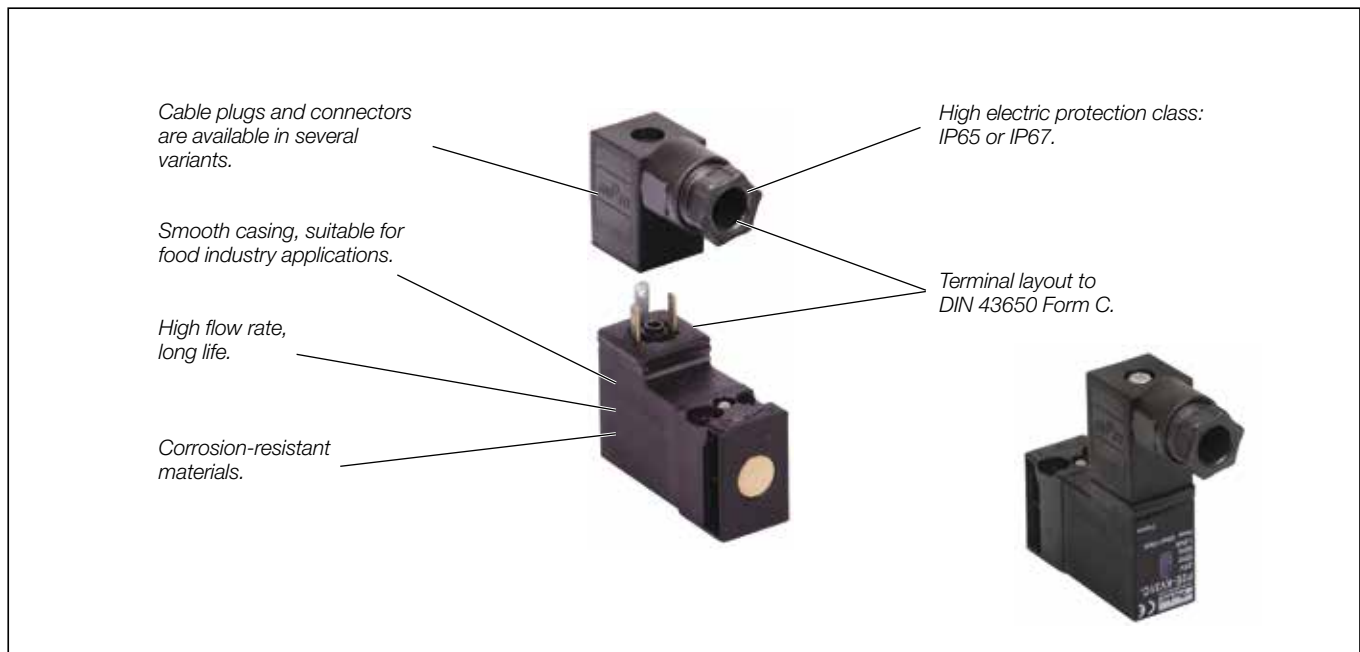


* Clip-on individual electrical connector, for each solenoid pilot, IP67 protected, including LED, voltage surge protection and flying lead cable

Dimensions (mm)



Solenoid operators - 15 mm



The P2E-•V solenoid operator range

The P2E-•V range of operators are normally closed (NC) 3/2 solenoid valves, with exceedingly compact dimensions in relation to their capacity.

International standard

The port connection pattern complies with a new French CNOMO standard (in process of drafting), with cable plug connections in accordance with DIN 43650 Form C.

Compact design

Overall dimensions of the P2E-•V operators are substantially less than those of earlier generations of solenoid operators.

High flow capacity

High flow capacity relative to the electrical operating power as a result of optimised internal flow paths.

Corrosion-resistant design

The valve is made of thermoplastic material and stainless steel, with Viton™ and nitrile rubber seals for excellent corrosion resistance.

Clean lines suitable for food industry applications, P2E-QV

The valve has been designed in conjunction with several machine manufacturers and organisations in the food processing industry, with corrosion-resistant materials and smooth lines being important starting points. The valve and its accessories have been designed so that there are no gaps or crevices in which dirt could collect.

High reliability

Few moving parts result in high reliability, rapid changeover and very long life.

Low power demand

The solenoids have a power demand of 1.2 W at 24 VDC and 1.6 VA at 24 VAC, 115 V AC and 230 VAC.

High protection class

The protection class is IP 67 when connected using the cable plug with a moulded cable. When using the standard cable plug for fitting by the user, the protection class is IP65, the valve, with Fast-on connectors, has an encapsulation class of IP 20.

Insensitive to dirty air

The use of generously sized flow paths (1.0 mm diameter) means that the valve can be used in normal industrial environments without problems of blocking.

Manual override as option

The operators can be supplied with our without manual override. The manual override device is available as a screwdriver groove or with a control arm, and is either spring return (blue) or lockable (yellow).

Order key, solenoid operators (15mm)

P	2	E	-	Q	V	3	2	C	3
----------	----------	----------	----------	----------	----------	----------	----------	----------	----------

Valve family	
P2E	Solenoid operator

Subfamily	
	Solenoid operator, 15 mm wide Electric connection acc. to ISO 15217 Form C EI/supply connection on opposite side
K	Standard version
M	Mobile version
Q	Food industry version
H	Hight flow

Type of current	
1	AC 50 Hz
2	DC
4	AC 50/60 Hz
5	Mobile and wide band only


Voltage	
B	12 V
C	24 V
D	48 V
F	115 V*
J	230 V*
W	37,5 V**
T	72 V**
Y	78 V**
V	96 V**
E	110 V**

Overrides	
0	Without
1	Non locking (blue)
2	Locking (yellow)
3	Extended non locking (blue)
4	Extended locking (yellow)

Valve type / Function	
3	3/2 valve, normally closed (NC)
1	3/2 valve, normally opened (NO)

* For standard and food type only
** For mobile "M" version only

Technical data

	NC, Standard	NC, Food ¹⁾	NC, Mobile ²⁾	NC, Hight flow
Working pressure	0 to 10 bar	0 to 10 bar	0 to 10 bar	0 to 10 bar
Working temperature	-15 °C to +60 °C	-15 °C to +60 °C	-40 °C to +70 °C	-15 °C to +50 °C
Orifice	1,0 mm	1,0 mm	1,0 mm	1,4 mm
Flow Qmax	33 NI/min	33 NI/min	22 NI/min	50 NI/min
Power, hold	DC 1,2 W / AC 1,6 VA *	DC 1,2 W / AC 1,6 VA *	DC 1,4 W	DC 1,8 W / AC 2,4 VA
Power, surge	DC 1,2 W / AC 3,5 VA *	DC 1,2 W / AC 3,5 VA *	DC 1,4 W	DC 1,8 W / AC 5,5 VA
Connection time	100%	100%	100%	100%
Voltage tolerance	+10%/-15%	+10%/-15%	+25%/-30%	+10%/-15%
Electric connection:	DIN 43650 Form C			
Port pattern:	To future CNOMO standard			
Protection:	IP 65			
Approval:	Standard solenoids are UL 429 recognized and marked with the following symbol 			
Working media:	All neutral media, such as compressed air, water, hydraulic oil and many gases.			
Design:	1) Completely smooth exterior, suitable for food industry.			
2) Mobile standard	According to European standard EN 50 155.			

* Power, hold for 230VAC 2.4VA
Power, surge for 230VAC 5.5VA

Transients

Interrupting the current through the solenoid coil produces momentary voltage peaks which, under unfavourable conditions, can amount to several hundred times the rated operating voltage. Normally, these transients do not cause problems, but to achieve the maximum life of relays in the circuit (and particularly of transistors, thyristors and integrated circuits) it is desirable to provide protection by means of voltage-dependent resistors (varistors). All cable plugs with a yellow LED also incorporate such protection.

Service life

With compressed air at 6 bar, 20 °C and complying with the requirements for compressed air quality as set out in ISO8573-1 norm (class 4 for dry and class 5 for filtered air), the valves should have a life of at least 50 million cycles.

Materials

Operator

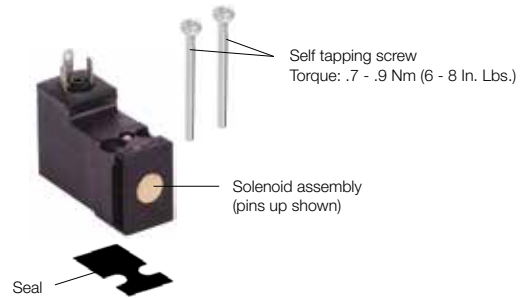
Body, coil casing	Thermoplastic
Internal metal parts	Steel
Screws	Stainless steel
Bottom plug	Thermoplastic
Sealing materials	FPM (Viton™) and nitrile rubber

Cable head

Sheath	Thermoplastic
Retaining screw	Stainless steel, zinc-plated steel

Solenoid Operators - 15 mm

Electrical connection EN175301-803 C/ISO15217 (Ex DIN 43650C)



Solenoids 15 mm NC, standard

(Note! Mounting screws included in basic valve)

	Voltage	Weight kg	Order code Without manual override	Weight kg	Order code Override, blue, non locking flush	Weight kg	Order code Override, yellow, locking flush
	12 VDC	0,038	P2E-KV32B0	0,038	P2E-KV32B1	0,038	P2E-KV32B2
	24 VDC	0,038	P2E-KV32C0	0,038	P2E-KV32C1	0,038	P2E-KV32C2
	48 VDC	0,038	P2E-KV32D0	0,038	P2E-KV32D1	0,038	P2E-KV32D2
	24 VAC 50Hz	0,038	P2E-KV31C0	0,038	P2E-KV31C1	0,038	P2E-KV31C2
	48 VAC 50/60Hz	0,038	P2E-KV34D0	0,038	P2E-KV34D1	0,038	P2E-KV34D2
	115 VAC 50Hz/ 120 VAC 60Hz	0,038	P2E-KV31F0	0,038	P2E-KV31F1	0,038	P2E-KV31F2
	230 VAC 50Hz/ 240 VAC 60Hz	0,038	P2E-KV31J0	0,038	P2E-KV31J1	0,038	P2E-KV31J2

	Voltage	Weight kg	Order code Override extended, blue, non locking flush	Weight kg	Order code Override extended, yellow, locking flush
	24 VDC	0,038	P2E-KV32C3	0,038	P2E-KV32C4
	24 VAC 50Hz	0,038	P2E-KV31C3	0,038	P2E-KV31C4

Solenoids 15 mm NC, mobile

(Note! Mounting screws included in basic valve)

	Voltage	Weight kg	Order code Without manual override	Weight kg	Order code Override, blue, non locking flush
	12 VDC	0,038	P2E-MV35B0	0,038	P2E-MV35B1
	24 VDC	0,038	P2E-MV35C0	0,038	P2E-MV35C1
	37,5 VDC	0,038	P2E-MV35W0	0,038	P2E-MV35W1
	48 VDC	0,038	P2E-MV35D0	0,038	P2E-MV35D1
	72 VDC	0,038	P2E-MV35T0	0,038	P2E-MV35T1
	78 VDC	0,038	P2E-MV35Y0	0,038	P2E-MV35Y1
	96 VDC	0,038	P2E-MV35V0	0,038	P2E-MV35V1
	110 VDC	0,038	P2E-MV35E0	0,038	P2E-MV35E1

Solenoids 15 mm NC, food industry version

(Note! Mounting screws included in basic valve)

	Voltage	Weight kg	Order code Without manual override	Weight kg	Order code Override, blue, non locking flush	Weight kg	Order code Override, yellow, locking flush
	24 VDC	0,038	P2E-QV32C0	0,038	P2E-QV32C1	0,038	P2E-QV32C2
	48 VDC	0,038	P2E-QV32D0	0,038	P2E-QV32D1	0,038	P2E-QV32D2
	24 VAC 50Hz	0,038	P2E-QV31C0	0,038	P2E-QV31C1	0,038	P2E-QV31C2
	48 VAC 50/60Hz	0,038	P2E-QV34D0	0,038	P2E-QV34D1	0,038	P2E-QV34D2
	115 V 50Hz/ 120 V 60Hz	0,038	P2E-QV31F0	0,038	P2E-QV31F1	0,038	P2E-QV31F2
	230 VAC 50Hz/ 240 VAC 60Hz	0,038	P2E-QV31J0	0,038	P2E-QV31J1	0,038	P2E-QV31J2

	Voltage	Weight kg	Order code Override extended, blue, non locking flush	Weight kg	Order code Override extended, yellow, locking flush
	24 VDC	0,038	P2E-QV32C3	0,038	P2E-QV32C4
	24 VAC 50Hz	0,038	P2E-QV31C3	0,038	P2E-QV31C4
	115 VAC 50 Hz	0,038	P2E-QV31F3	0,038	P2E-QV31F4
	230 VAC 50 Hz	0,038	P2E-QV31J3	0,038	P2E-QV31J4

In accordance with the EU Machine Directive, EN 983, solenoid valves with manual override should have spring-return operating arms for safety.

2/2-Way Direct Operated Valve

General application valves for dry or lubricated air, neutral gases and liquids



Description:

- 2/2-Way Direct Operated Valve - Normally Closed.
- Coil IP65 for 2 P + E plug according to DIN 43650 type A
- Power Consumption 8W (AC), 9W (DC).

Applications:

- Shut-off and control (On-Off) of water, air, light oils, steam and inert gases
- Humidifiers, welding systems, industrial washing machines, automatic dispensers, diesel oil burners, sterilizers, compressors.

Temperature Range:

- Min: -10°C | Max: see table

Seals Material:

- See table

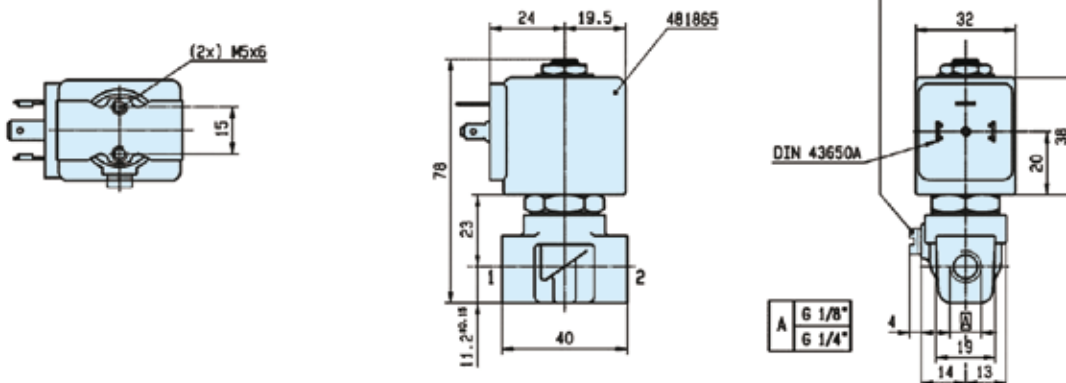
Advantages:

- Versatile product for many 2/2 NC valve requiring applications, robust design.

Port size G	Orifice mm	K _v l/min	Admissible differential pressure (bar)			Fluid Temp.	Seal Material C°	Reference number Valve	Reference number		Options
			Min.	Max. DC	Max. AC				Housing	Coil	
2/2-Way Direct Operated Valve											Normally CLOSED
1/8"	2.5	3.50	0	10.0	28.0	100°C	Ruby ¹	E121K23	2995	481865	-
1/8"	3.0	4.50	0	7.0	10.0	100°C	FKM	121K1302	2995	481865	-
1/4"	1.2	0.85	0	36.0	80.0	100°C	Ruby ¹	E121K65	2995	481865	-
1/4"	1.5	1.50	0	25.0	60.0	75°C	PCTFE	E121K04	2995	481865	-
1/4"	1.5	1.50	0	25.0	60.0	100°C	Ruby ¹	E121K67	2995	481865	-
1/4"	1.5	1.50	0	20.0	20.0	100°C	FKM	E121K0402	2995	481865	-
1/4"	2.5	3.50	0	10.0	28.0	75°C	PCTFE	E121K07	2995	481865	-
1/4"	2.5	3.50	0	7.0	14.0	100°C	FKM	121K0706	2995	481865	-
1/4"	2.5	3.50	0	10.0	28.0	100°C	Ruby ¹	E121K63	2995	481865	-
1/4"	3.0	4.50	0	7.0	20.0	75°C	PCTFE	E121K03	2995	481865	-
1/4"	3.0	4.50	0	7.0	10.0	100°C	FKM	E121K0302	2995	481865	-
1/4"	3.0	4.50	0	7.0	10.0	100°C	EPDM	121K0323	2995	481865	-
1/4"	3.0	4.50	0	7.0	10.0	100°C	FKM	E121K0352	2995	481865	**
1/4"	3.0	4.50	0	7.0	20.0	100°C	Ruby ¹	E121K64	2995	481865	-
1/4"	4.0	7.50	0	4.0	10.0	100°C	FKM	121K02	2995	481865	-
1/4"	4.0	7.50	0	4.0	10.0	100°C	FKM	121K0250	2995	481865	**
1/4"	5.0	11.00	0	2.0	7.0	100°C	FKM	121K01	2995	481865	-
1/4"	5.0	11.00	0	2.0	7.0	100°C	EPDM	121K0103	2995	481865	-
1/4"	5.0	11.00	0	2.0	7.0	100°C	FKM	121K0150	2995	481865	**
1/4"	5.0	11.00	0	2.0	7.0	100°C	FKM	121K3106	2995	481865	-
3/8"	4.0	7.50	0	4.0	10.0	100°C	FKM	121K3206	2995	481865	-
3/8"	6.0	12.00	0	1.1	5.0	100°C	FKM	121K3303	2995	481865	-
3/8"	6.0	12.00	0	1.1	5.0	100°C	FKM	121K3306	2995	481865	-
1/2"	8.5	25.00	0	0.5	1.1	100°C	FKM	E121K46	2995	481865	-
1/2"	11.0	36.00	0	0.3	0.7	100°C	FKM	E121K45	2995	481865	-

¹ Valve with Ruby seal is only compatible with hydraulic oil and neutral liquids

** Manual override standard



2/2 & 3/2 Solenoid Valves for High Pressure pneumatic applications - 40 bar

Product offering:

- 2/2 valves and 3/2 way valves - pilot operated
- Pipe mounting (G 1/2- 3/4) or sub-base mounting
- 1.5 (2) - 40 bar
- Normally open or closed
- Internal or external pilot pressure supply

Customer Value Proposition:

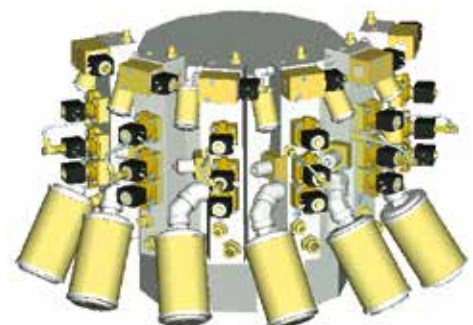
- Safety of operation
- Reliability
- Response time stability
- Repeatability
- No leakage
- Integrated non return valve (421version)

The use of high pressure gases became a necessity in the new technologies developed during the last years.

The control of these fluids can be done through the solenoid valves specially designed by Parker Lucifer for high pressure applications (maximum 50 bar).

The **life expectancy of several millions** of cycles, with **response time of few milliseconds**, allows the use of these valves on intensive applications and on high technology machines, as the plastic bottle blowing machines, or the laser cutting machines.

Parker Lucifer also develops special valves or adapted blocks upon specific customers needs. Please contact your agent for more information.



Application Example

Main Technical Specifications

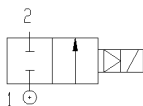
Function

2/2 pilot operated: Normally closed (with internal pilot pressure) 321H/F type
 Normally closed (with external pilot pressure) 421H/F type
 Normally open (with internal pilot pressure) 322H/F type

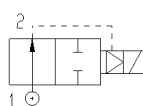
3/2 pilot operated: normally closed (with internal pressure) 331B type

ISO diagram

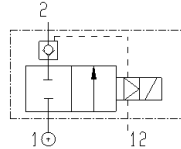
321H/F



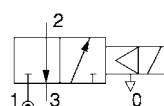
322H/F



421H/F



331B



Mounting

- For direct pipe mounting G 1/2" or 3/4" (2/2 Valve type H); G 1/4 (3/2 Valve type B)
- For sub-base mounting (type F)

Nominal diameter

15 mm (type H), 14 mm (type F)

Pressures

For the version with external pilot pressure, the pilot pressure must always be higher than the controlled pressure

External Leakage

0 Ncc/min.

Internal Leakage

< 20 Ncc/min.

Fluids

Dry lubricated or non lubricated air, Argon, Nitrogen.
 Oxygen on request

Proof pressure

200 bar

Filtration

< 1 µm

Life expectancy

> 2 10⁶ cycles (dry and clean air)
 > 8 10⁶ cycles (lubricated air)

Temperatures

Ambient / fluid mini: -10 °C
 Ambient / fluid maxi: +50 °C

Materials specifications

Body/cover: 2/2 Valves: Brass - 3/2 Valves: Aluminium
 Pilot seals : PUR
 Main seals : FKM (Viton®) with isolating diaphragm from PUR
 Tube and plunger : Stainless steel
 Coil : Encapsulation from PA66 + 30% fiber glass

Options

Δp maxi 50 bar on request

Response Time

Depends on application

Mounting Position

Indifferent

Specials

Parker Lucifer also develops special valves or adapted blocks upon specific customers needs.
 Please contact your agent for more information.

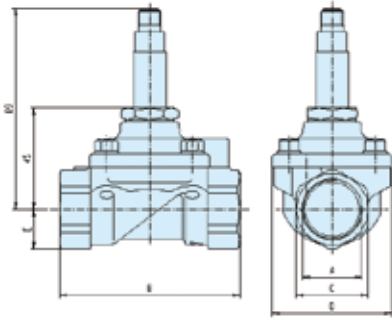
Port size	Orifice	Flow Factor (l/min)	Admissible differential pressure (bar)			Fluid Temp.	Seal Material (C°)	Global Ref. No.	Reference number			Dim. Ref. N°
			Min.	Max. DC	Max. AC				Valve	Housing	Coil	
G	mm	Gaz Qn				Gaz Max.						
2/2 Valves - Direct Pipe Mounting											Normally CLOSED	
1/2"	15	3150	1.5	40	40	50	FKM	-	321H35	2995	481865	1
3/4"	15	3550	1.5	40	40	50	FKM	-	321H36	2995	481865	1
2/2 Valves - Direct Pipe Mounting											Normally OPEN	
1/2"	15	3150	1.5	40	40	50	FKM	-	322H35	2995	481865	2
3/4"	15	3550	1.5	40	40	50	FKM	-	322H36	2995	481865	2
2/2 Valves - Direct Pipe Mounting											External Pilot	Normally CLOSED
1/2"	15	3150	2	40	40	50	FKM	-	421H35	2995	481865	3
3/4"	15	3550	2	40	40	50	FKM	-	421H36	2995	481865	3
2/2 Valves - Sub-base Mounting											Normally CLOSED	
-	14	2100	1.5	40	40	50	FKM	-	321F35	2995	481865	4
-	22	7000	5	40	40	50	FKM	-	321F37	2995	481865	-
2/2 Valves - Sub-base Mounting											Normally OPEN	
-	14	2100	1.5	40	40	50	FKM	-	322F35	2995	481865	5
-	22	7000	1.5	40	40	50	FKM	-	322F37	2995	481865	-
2/2 Valves - Sub-base Mounting											External Pilot	Normally CLOSED
-	14	2100	2	40	40	50	FKM	-	421F35	2995	481865	6
3/2 Valves - Direct Pipe Mounting											Normally CLOSED	
1/4"	8	750	1	40	40	50	PUR	-	331B31	2995	481865	7
3/2 Valves - Sub-base Mounting											Normally CLOSED	
-	8	750	1	40	40	50	PUR	-	331F31	2995	481865	-

Available electrical parts:

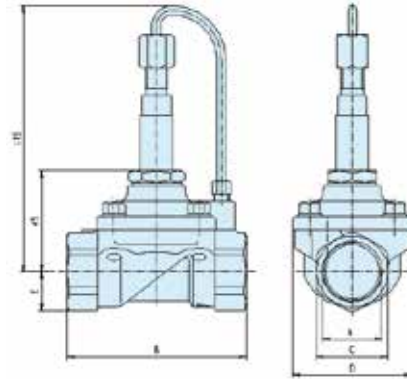
You will find standard available coil details on the next pages.

Dimensions

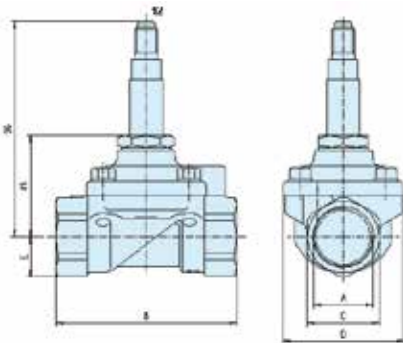
Dimensions Reference N° 1



Dimensions Reference N° 2

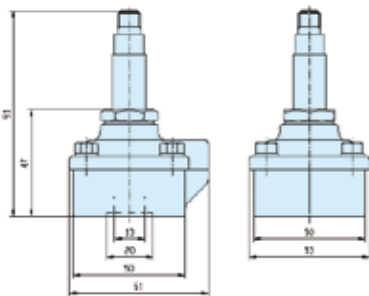


Dimensions Reference N° 3

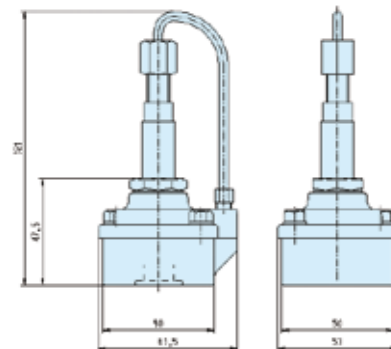


A	B	C	D	E
G3/4"	80	32	53	17.5
G1/2"	75	27	53	13.5

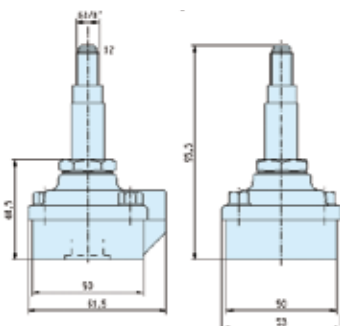
Dimensions Reference N° 4



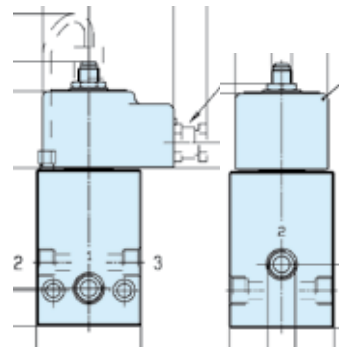
Dimensions Reference N° 5



Dimensions Reference N° 6



Dimensions Reference N° 7



3-Way Solenoid Valve - Direct Acting

General application valves for dry or lubricated air, neutral gases and liquids



Description:

- 3-Way Solenoid Valve - Direct Acting - Normally Closed.
- Coil IP65 for 2 P + E plug according to DIN 43650 type A
- Power Consumption 8W (AC), 9W (DC).

Applications:

- This series is used in applications which require actuation and automatic discharge of moving systems.
- Typical applications can be found in: sterilizers, Cylinder actuation, air compressors, Diesel oil burners, pilot valves, water treatment installations.

Temperature Range:

- Min: -10°C | Max: see table

Seals Material:

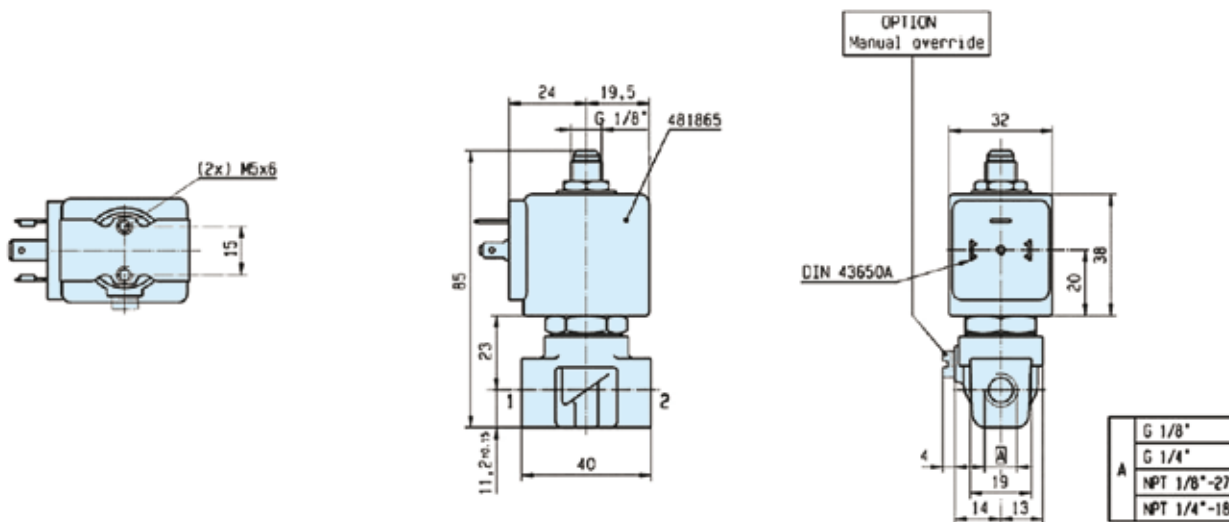
- FKM, PCTFE

Advantages:

- Versatile product for many 2/2 NC v alve requiring applications, robust design.

Port size	Orifice	K _v	Admissible differential pressure (bar)		Fluid Temp. C°	Seal Material	Reference number			Options
			Min.	Max.			Valve	Housing	Coil	
3-Way Solenoid Valve - Direct Acting - Normally Closed										
										Normally CLOSED
1/8"	1.5	1.5	0	15	100°C	FKM	E131K14	2995	481865	-
1/8"	2.0	2.5 (3.5)*	0	10	100°C	FKM	131K16	2995	481865	-
1/8"	2.0	2.5 (3.5)*	0	10	100°C	FKM	131K1650	2995	481865	**
1/8"	2.5	3.5	0	7	100°C	FKM	E131K13	2995	481865	-
1/4"	0.8	0.3	0	40	75°C	PCTFE	131K05	2995	481865	-
1/4"	1.5	1.5	0	15	100°C	FKM	E131K04	2995	481865	-
1/4"	1.5	1.5	0	15	100°C	FKM	E131K0450	2995	481865	**
1/4"	2.0	2.5 (3.5)*	0	10	100°C	FKM	E131K06	2995	481865	-
1/4"	2.0	2.5 (3.5)*	0	10	100°C	FKM	E131K0650	2995	481865	**
1/4"	2.5	3.5	0	7	100°C	FKM	E131K03	2995	481865	-
1/4"	2.5	3.5	0	7	100°C	FKM	E131K0350	2995	481865	**

* Kv for Exhaust side
 ** Manual override standard



Please consult the "How to Order" part at the end of each coil chapter.

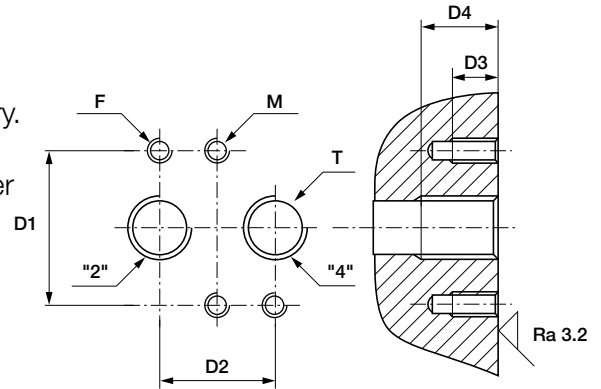
Valves for Pneumatic Actuator Control

NAMUR Interfaces 1/4" & 1/2"

NAMUR + piped versions in safe or dangerous areas.

The interface design conforms to the NAMUR standard and to the VDI/VDE 3845 recommendations of the actuator industry. It allows a compact design of the actuator/valve unit. In case of a 3/2 function, the air of the actuator spring chamber also flows through the pilot valve (re-breather function). This prevents corrosion of the actuator springs.

F	T	D1 mm	D2 mm	D3 mm	D4 min. mm	M mm
M5	1/4	32	24	8	12	M5
M6	1/2	45	40	10	16	M6



F: 2 mounting holes - T: 2 actuators control port - M: 2 holes for dowel pins

- High flow: 1.250 l/min (1/4"), 3.000 l/min (1/2")
- Compact design
- Long life expectancy
- N3x & P3x Series compatible with any Parker Lucifer coil (ATEX or not) of electrical group 2 (8/9 W coils)
- Fail safe standard
- Reduced inventory (3/2 & 5/2 functions with the same valve on 341Nx5 series)
- Mechanical part of the valve ATEX certified according standard EN 13463-1 & -5

General Information

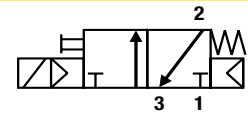
Function:	3/2, 5/2, 3/2 <=> 5/2 and 5/3 valves.
Manual override:	Standard on all versions.
Design:	Nxx & Pxx Series: Solenoid operated spool valve with combined spring and air return & external air pressure operated versions. B0x Series: Solenoid direct acting valve with spring return.
Mounting:	Nxx Series: For direct mounting on NAMUR interface 1/4" & 1/2" Pxx Series: Piped valves G1/4" & G1/2" Bxx Series: Equipped with a banjo bolt G1/8" or G1/4"
Mounting position:	Indifferent.
Material specifications:	Aluminium body. Internal parts of stainless steel. Sealing material from NBR.
Range of admissible pressure drop:	Δp min. = see table. Δp max. = 10 bar.
Media:	Dry or lubricated air.
Fluid temperature:	Min. 0°C Max. + 50°C
Ambient temperature:	-20°C to +50°C
Electrical part:	N0x / P0x / Bxx Series are compatible with 22 mm coil 496131 / 496482 / 496637 size N3x / P3x Series are compatible with 32/37/40 mm coils part of electrical group 2 (8/9W), including 481865 / 495870 / 495905 Series / N3x90 Series are compatible with coils from electrical group 6,7,8 including coil 495900,495910,483580.
Solenoid duty:	100% ED.
Voltage:	481865 coil: 12 VDC , 24 VDC , 48 VDC , 110VDC, 24 V / 50 AC, 48 V / 50 AC, 110 V / 50 AC, 220-230V/50 AC, 115 V / 60 Hz AC, 230 V / 60 AC.
Voltage tolerance:	\pm 10% of nominal for 481865 coil.
Class of insulation material:	Class F for 481865 coil.
Standards:	Mechanical ATEX conform to EN 13463-1 & -5.

NAMUR Valves G1/4" Series

Solenoid Operated Versions N03-N05 Series with 22 mm Coil

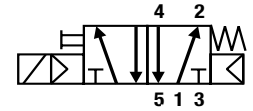
Port size	Orifice	Q _N	Admissible differential pressure (bar)		Max. admissible fluid temperature (°C)		Seat disc	Reference number			Consumption Power (Watt)		Weight (g)	Dimensions Reference
			max.	min.	DC=	AC~		Air & Neutral gases	Valve	Housing	Coil	DC		
G	mm	l/min	min	DC=	AC~	Air & Neutral gases	Valve	Housing	Coil	DC	AC			

3/2 Solenoid operated - Combined spring & air return (monostable)



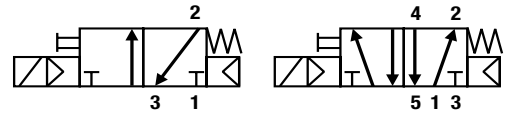
1/4	7	1250	2.5	10	10	50	NBR	331N03	-	496131	3	3	300	1
1/4	7	1250	2.5	10	10	50	NBR	331N03	-	496482	3	3	300	1
1/4	7	1250	2.5	10	10	50	NBR	331N03	-	496637	3	3	300	1

5/2 Solenoid operated - Combined spring & air return (monostable)



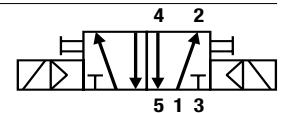
1/4	7	1250	2.5	10	10	50	NBR	341N03	-	496131	3	3	300	2
1/4	7	1250	2.5	10	10	50	NBR	341N03	-	496482	3	3	300	2
1/4	7	1250	2.5	10	10	50	NBR	341N03	-	496637	3	3	300	2

3/2 <=> 5/2 with conversion plate - Solenoid operated Combined spring & air return (monostable)



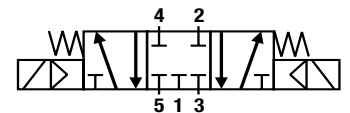
1/4	7	1250	2.5	10	10	50	NBR	341N05	-	496131	3	3	310	3
1/4	7	1250	2.5	10	10	50	NBR	341N05	-	496482	3	3	310	3
1/4	7	1250	2.5	10	10	50	NBR	341N05	-	496637	3	3	310	3
1/4	7	1250	2.5	10	10	50	NBR	341N0502*	-	496131	3	3	310	3
1/4	7	1250	2.5	10	10	50	NBR	341N0502*	-	496482	3	3	310	3
1/4	7	1250	2.5	10	10	50	NBR	341N0502*	-	496637	3	3	310	3

5/2 Solenoid operated and return (bistable)



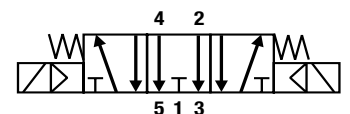
1/4	7	1250	2.5	10	10	50	NBR	347N03	-	496131	3	3	430	4
1/4	7	1250	2.5	10	10	50	NBR	347N03	-	496482	3	3	430	4
1/4	7	1250	2.5	10	10	50	NBR	347N03	-	496637	3	3	430	4

5/3 W1 closed in center position - Solenoid operated and return



1/4	7	1250	2.5	10	10	50	NBR	342N03	-	496131	3	3	430	4
1/4	7	1250	2.5	10	10	50	NBR	342N03	-	496482	3	3	430	4
1/4	7	1250	2.5	10	10	50	NBR	342N03	-	496637	3	3	430	4

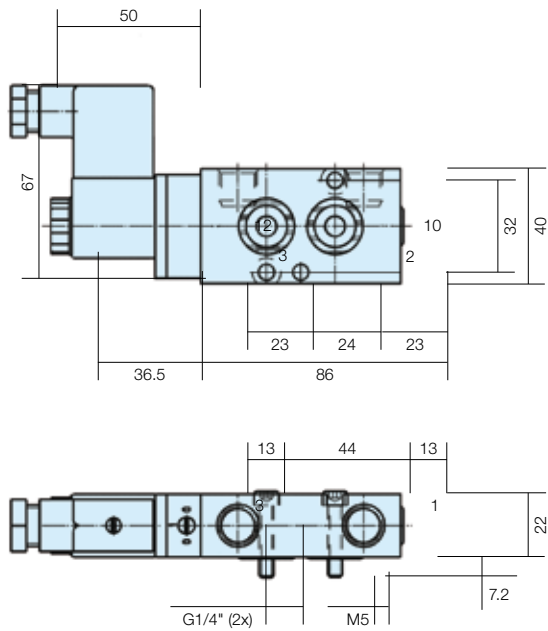
5/3 W3 exhausted in center position Solenoid operated and return



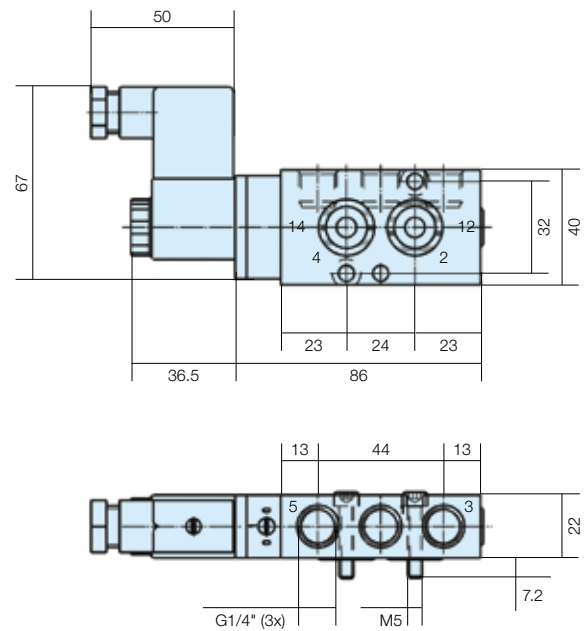
1/4	7	1250	2.5	10	10	50	NBR	343N03	-	496131	3	3	430	4
-----	---	------	-----	----	----	----	-----	---------------	---	---------------	---	---	-----	---

Please consult the "How to Order" part at the end of each coil chapter.

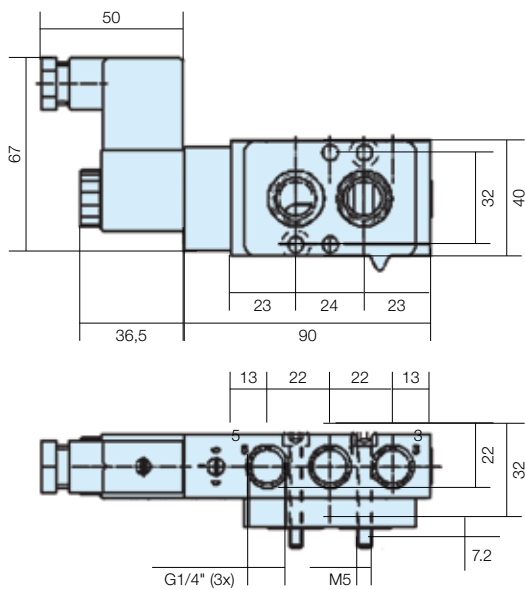
Dimensions Reference 1



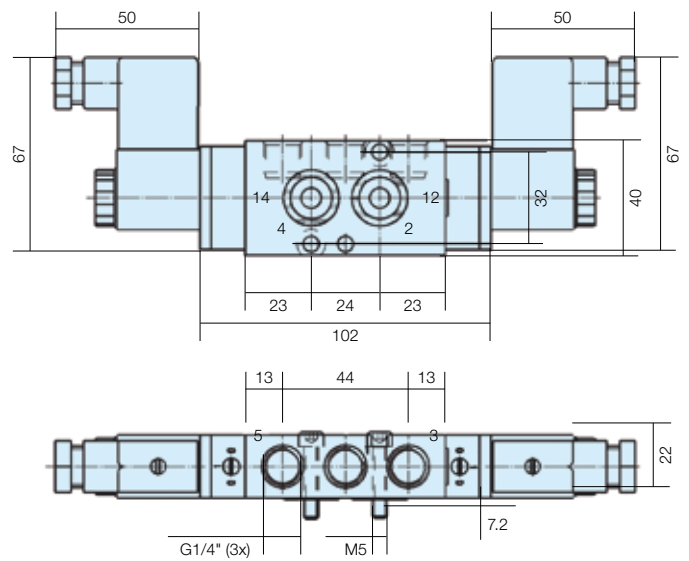
Dimensions Reference 2



Dimensions Reference 3



Dimensions Reference 4



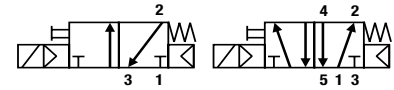
Please consult the "How to Order" part at the end of each coil chapter.

NAMUR Valves G1/4" Series

Solenoid Operated Versions N33-N35 Series with 32 / 37 / 40 mm Coil

Port size	Orifice	Q _N	Admissible differential pressure (bar)			Maximum admissible fluid temperature (°C)		Seat disc	Reference number			Consumption Power (Watt)		Weight (g)	Elect. Group	Dim. Ref.
			maximum	DC=	AC~	Air & Neutral gases	Valve		Housing	Coil	DC	AC				
G	mm	l/min	min	DC=	AC~	Air & Neutral gases										

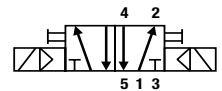
3/2 <=> 5/2 with conversion plate - Solenoid operated Combined spring & air return (monostable)



1/4	7	1250	2.5	10	10	50	NBR	341N35	2995	481865	9	8	480	2	5
1/4	7	1250	2.5	10	10	50	NBR	341N35	2995	495870	9	8	700	2	-
1/4	7	1250	2.5	10	10	50	NBR	341N35	-	495905	8	8	740	2	-
1/4	7	1250	2.5	10	10	50	NBR	341N3502*	2995	481865	9	8	480	2	5
1/4	7	1250	2.5	10	10	50	NBR	341N3502*	2995	495870	9	8	700	2	-
1/4	7	1250	2.5	10	10	50	NBR	341N3502*	-	495905	8	8	740	2	-
1/4	7	1250	2.5	10	10	50	NBR	341N3590*	-	483580	0.5-3	-	560	7	5
1/4	7	1250	2.5	10	10	50	NBR	341N3590*	-	495910	0.3-3	-	920	8	-
1/4	7	1250	2.5	10	10	50	NBR	341N3590*	-	495900	2	2,5	920	6	-

* Valves without manual override

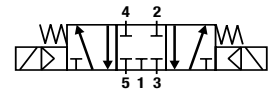
5/2 Solenoid operated and return



1/4	7	1250	2.5	10	10	50	NBR	347N33	2995	481865	9	8	750	2	6
1/4	7	1250	2.5	10	10	50	NBR	347N33	2995	495870	9	8	1190	2	-
1/4	7	1250	2.5	10	10	50	NBR	347N33	-	495905	8	8	1270	2	-
1/4	7	1250	2.5	10	10	50	NBR	347N3390*	-	483580	0.5-3	-	700	7	6
1/4	7	1250	2.5	10	10	50	NBR	347N3390*	-	495910	0.3-3	-	1420	8	-
1/4	7	1250	2.5	10	10	50	NBR	347N3390*	-	495900	2	2,5	1420	6	-

* Valves without manual override

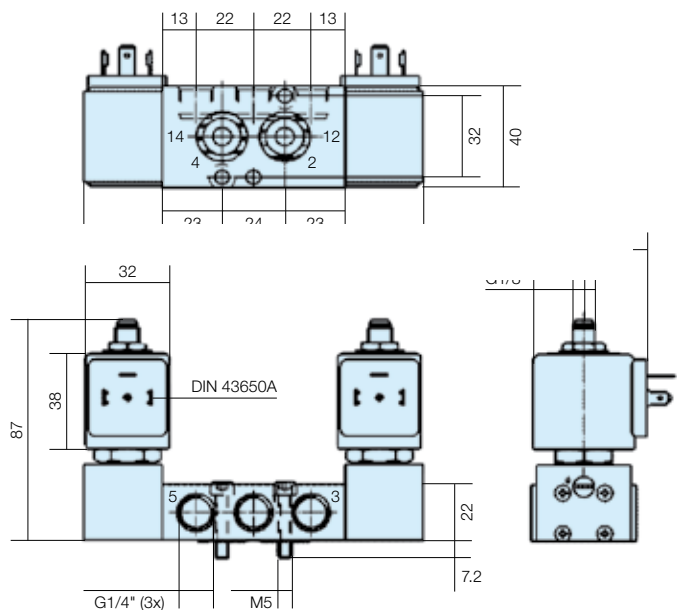
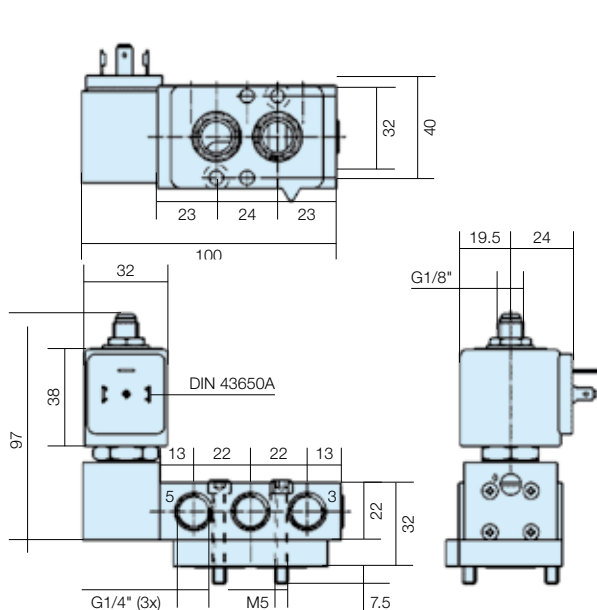
5/3 W1 Closed in center position Solenoid operated and return



1/4	7	1250	2.5	10	10	50	NBR	342N33	2995	481865	9	8	750	2	6
1/4	7	1250	2.5	10	10	50	NBR	342N33	2995	495870	9	8	1190	2	-
1/4	7	1250	2.5	10	10	50	NBR	342N33	-	495905	8	8	1270	2	-

Dimensions Reference 5

Dimensions Reference 6

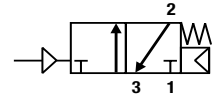


NAMUR Valves G1/4" Series

External Pressure Air Operated Series 5xx N03 Series

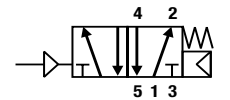
Port size	Orifice	Q _n	Admissible differential pressure (bar)		Maximum admissible fluid temperature (°C)		Seat disc	Reference number			Consumption Power (Watt)		Weight (g)	Elect. Group	Dim. Ref.
			maximum	DC= AC~	Air & Neutral gases	Valve		Housing	Coil	DC	AC				
G	mm	l/min	min	DC= AC~	min	DC= AC~	Air & Neutral gases	Valve	Housing	Coil	DC	AC			

**3/2 External pressure air operated
Combined spring & air return (monostable)
External pressure supply 2.5 to 10 bar**



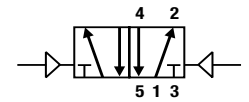
1/4	7	1250	2.5	10	10	50	NBR	531N03	-	w/o	-	-	210	-	7
-----	---	------	-----	----	----	----	-----	---------------	---	-----	---	---	-----	---	---

**5/2 External pressure air operated
Combined spring & air return (monostable)
External pressure supply 2.5 to 10 bar**



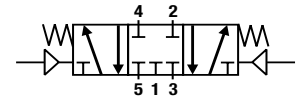
1/4	7	1250	2.5	10	10	50	NBR	541N03	-	w/o	-	-	210	-	8
-----	---	------	-----	----	----	----	-----	---------------	---	-----	---	---	-----	---	---

**5/2 External pressure air operated
External pressure air return (bistable)
External pressure supply 2.5 to 10 bar**



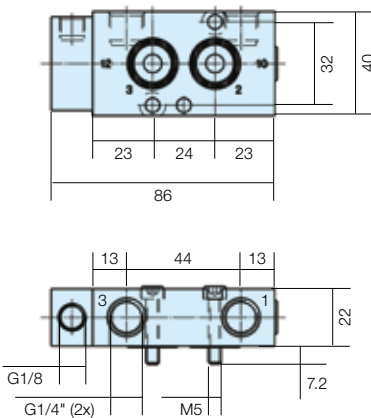
1/4	7	1250	2.5	10	10	50	NBR	547N03	-	w/o	-	-	240	-	9
-----	---	------	-----	----	----	----	-----	---------------	---	-----	---	---	-----	---	---

**5/3 W1 closed in center position - External pressure air operated
External pressure air return
External pressure supply 2.5 to 10 bar**

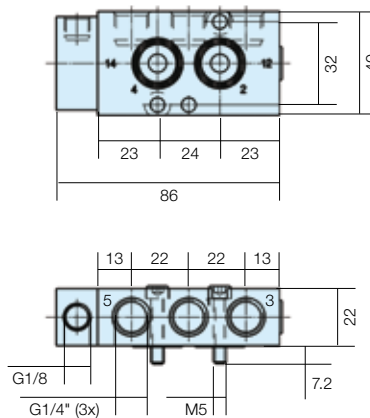


1/4	7	1250	2.5	10	10	50	NBR	542N03	-	w/o	-	-	240	-	9
-----	---	------	-----	----	----	----	-----	---------------	---	-----	---	---	-----	---	---

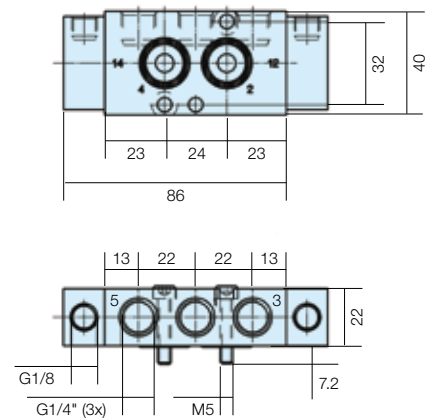
Dimensions Reference 7



Dimensions Reference 8



Dimensions Reference 9

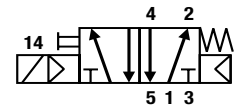


NAMUR Valves G1/2" Series

Solenoid Operated Versions N04 Versions with 22 mm Coil

Port size	Orifice	Q _N	Admissible differential pressure (bar)		Maximum admissible fluid temperature (°C)		Seat disc	Reference number		Consumption Power (Watt)		Weight (g)	Elect. Group	Dim. Ref.
			maximum	AC~	DC=	AC~		Air & Neutral gases	Valve	Housing	Coil			

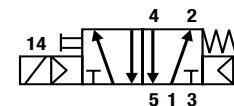
3/2 Solenoid operated Combined spring & air return (monostable)



1/2	12	3000	2.5	10	10	50	NBR	331N04	-	496131	3	3	910	-	10
1/2	12	3000	2.5	10	10	50	NBR	331N04	-	496482	3	3	925	-	10
1/2	12	3000	2.5	10	10	50	NBR	331N04	-	496637	3	3	925	-	10
1/2	12	3000	2.5	10	10	50	NBR	331N0402*	-	496131	3	3	910	-	10
1/2	12	3000	2.5	10	10	50	NBR	331N0402*	-	496482	3	3	925	-	10
1/2	12	3000	2.5	10	10	50	NBR	331N0402*	-	496637	3	3	925	-	10

* Valves without manual override

5/2 Solenoid operated Combined spring & air return (monostable)



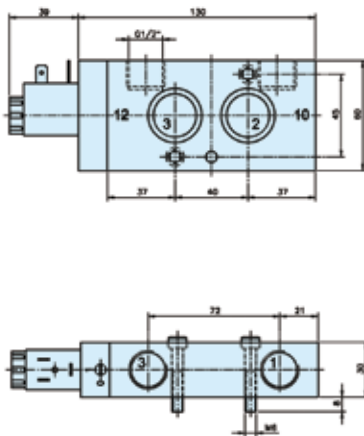
1/2	12	3000	2.5	10	10	50	NBR	341N04	-	496131	3	3	910	-	11
1/2	12	3000	2.5	10	10	50	NBR	341N04	-	496482	3	3	925	-	11
1/2	12	3000	2.5	10	10	50	NBR	341N04	-	496637	3	3	925	-	11

5/2 Solenoid operated and return (bistable)

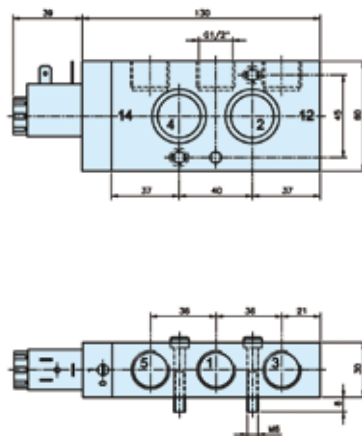


1/2	12	3000	2.5	10	10	50	NBR	347N04	-	496131	3	3	1240	-	12
1/2	12	3000	2.5	10	10	50	NBR	347N04	-	496482	3	3	1255	-	12
1/2	12	3000	2.5	10	10	50	NBR	347N04	-	496637	3	3	1255	-	12

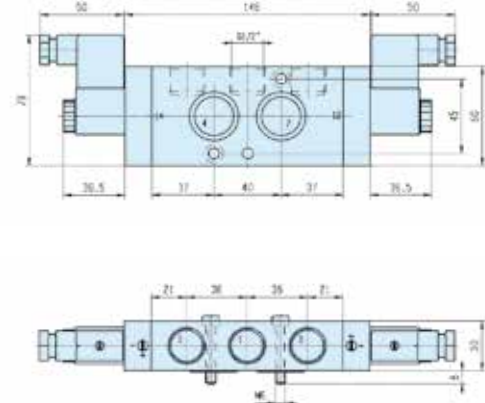
Dimensions Reference 10



Dimensions Reference 11



Dimensions Reference 12



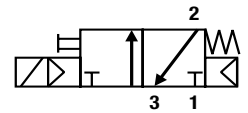
Please consult the "How to Order" part at the end of each coil chapter.

NAMUR Valves G1/2" Series

Solenoid Operated Versions N34 Series with 32 / 37 / 40 mm Coil

Port size	Orifice	Q _N	Admissible differential pressure (bar) maximum		Maximum admissible fluid temperature (°C) minimum = 0°C	Seat disc	Reference number		Consumption Power (Watt)		Weight (g)	Elect. Group	Dim. Ref.
			min	DC= AC~			Valve	Housing	Coil	DC			
G	mm	l/min			Air & Neutral gases								

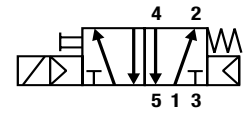
3/2 Solenoid operated Combined spring & air return (monostable)



1/2	12	3000	2.5	10	10	50	NBR	331N34	2995	481865	9	8	810	2	13
1/2	12	3000	2.5	10	10	50	NBR	331N34	2995	495870	9	8	830	2	-
1/2	12	3000	2.5	10	10	50	NBR	331N34	-	495905	8	8	1150	2	-
1/2	12	3000	2.5	10	10	50	NBR	331N3402*	2995	481865	9	8	810	2	13
1/2	12	3000	2.5	10	10	50	NBR	331N3402*	2995	495870	9	8	830	2	-
1/2	12	3000	2.5	10	10	50	NBR	331N3402*	-	495905	8	8	1150	2	-

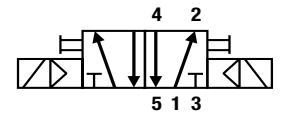
* Valves without manual override

5/2 Solenoid operated Combined spring & air return (monostable)



1/2	12	3000	2.5	10	10	50	NBR	341N34	2995	481865	9	8	800	2	14
1/2	12	3000	2.5	10	10	50	NBR	341N34	2995	495870	9	8	820	2	-
1/2	12	3000	2.5	10	10	50	NBR	341N34	-	495905	8	8	1140	2	-

5/2 Solenoid operated and return (bistable)

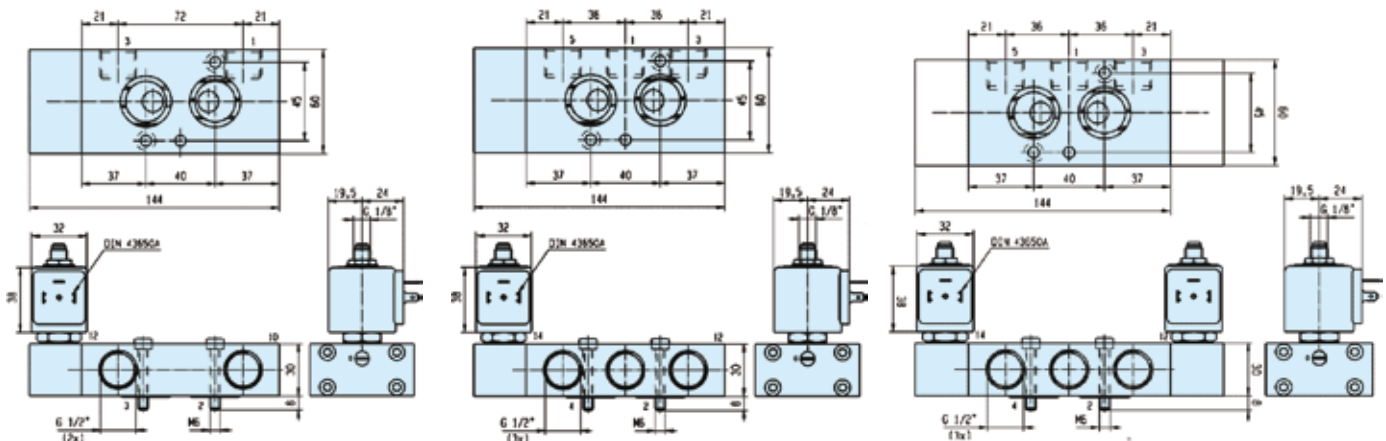


1/2	12	3000	2.5	10	10	50	NBR	347N34	2995	481865	9	8	960	2	15
1/2	12	3000	2.5	10	10	50	NBR	347N34	2995	495870	9	8	1000	2	-
1/2	12	3000	2.5	10	10	50	NBR	347N34	-	495905	8	8	1640	2	-

Dimensions Reference 13

Dimensions Reference 14

Dimensions Reference 15



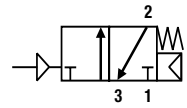
Please consult the "How to Order" part at the end of each coil chapter.

NAMUR Valves G1/2" Series

External Pressure Air Operated Series 5 xx N04 Series

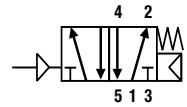
Port size	Orifice	Q _N	Admissible differential pressure (bar)		Maximum admissible fluid temperature (°C)		Seat disc	Reference number			Consumption Power (Watt)		Weight (g)	Elect. Group	Dim. Ref.
			maximum	DC= AC~	Air & Neutral gases	minimum = 0°C		Valve	Housing	Coil	DC	AC			
G	mm	l/min	min	DC= AC~	Air & Neutral gases	minimum = 0°C		Valve	Housing	Coil	DC	AC			

3/2 External pressure air operated Combined spring & air return (monostable) External pressure supply 2.5 to 10 bar



1/2	12	3000	2.5	10	10	50	NBR	531N04	-	w/o	-	-	620	-	16
-----	----	------	-----	----	----	----	-----	---------------	---	-----	---	---	-----	---	----

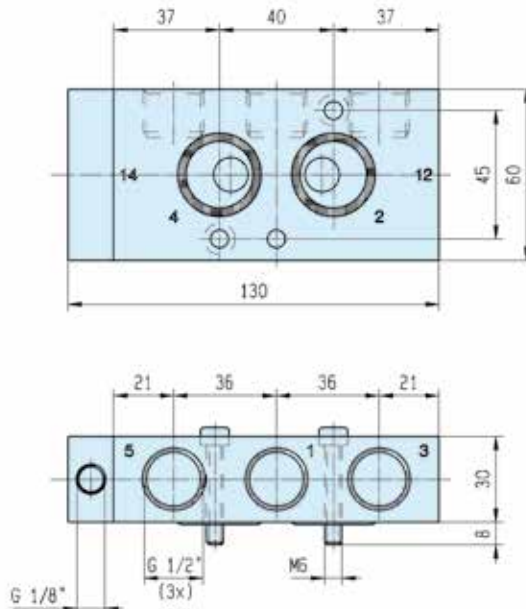
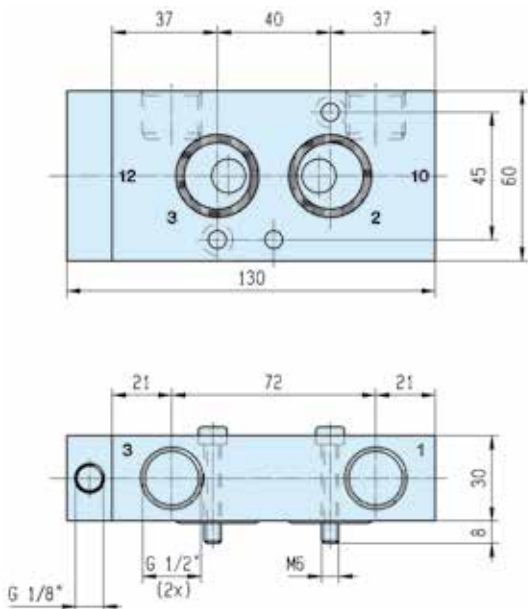
5/2 External pressure air operated Combined spring & air return (monostable) External pressure supply 2.5 to 10 bar



1/2	12	3000	2.5	10	10	50	NBR	541N04	-	w/o	-	-	600	-	17
-----	----	------	-----	----	----	----	-----	---------------	---	-----	---	---	-----	---	----

Dimensions Reference 16

Dimensions Reference 17



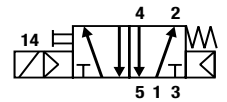
Please consult the "How to Order" part at the end of each coil chapter.

Piped Valves - G1/4" Series

Solenoid Operated Versions P03 Versions with 22 mm Coil

Port size	Orifice	Q _N	Admissible differential pressure (bar) maximum		Maximum admissible fluid temperature (°C)		Seat disc	Reference number			Consumption Power (Watt)		Weight (g)	Elect. Group	Dim. Ref.
			min	DC= AC~	Air & Neutral gases	Valve		Housing	Coil	DC	AC				
G	mm	l/min	min	DC= AC~	Air & Neutral gases		Valve	Housing	Coil	DC	AC				

5/2 Solenoid operated Combined spring & air return (monostable)



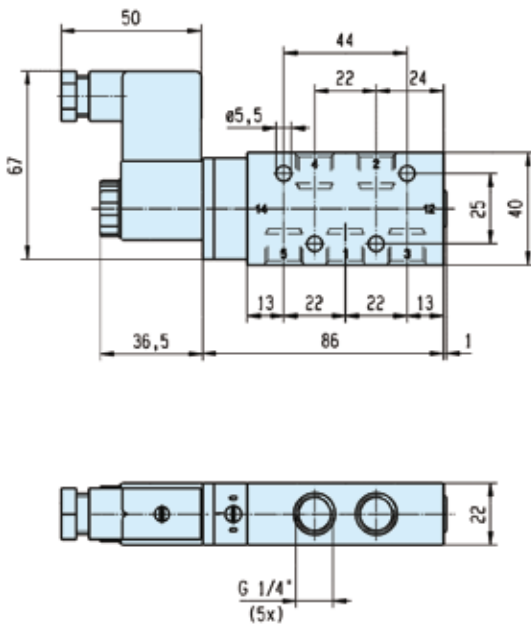
1/4	7	1250	2.5	10	10	50	NBR	341P03	-	496131	3	3	250	-	18
1/4	7	1250	2.5	10	10	50	NBR	341P03	-	496482	3	3	250	-	18
1/4	7	1250	2.5	10	10	50	NBR	341P03	-	496637	3	3	250	-	18

5/2 Solenoid operated and return (bistable)

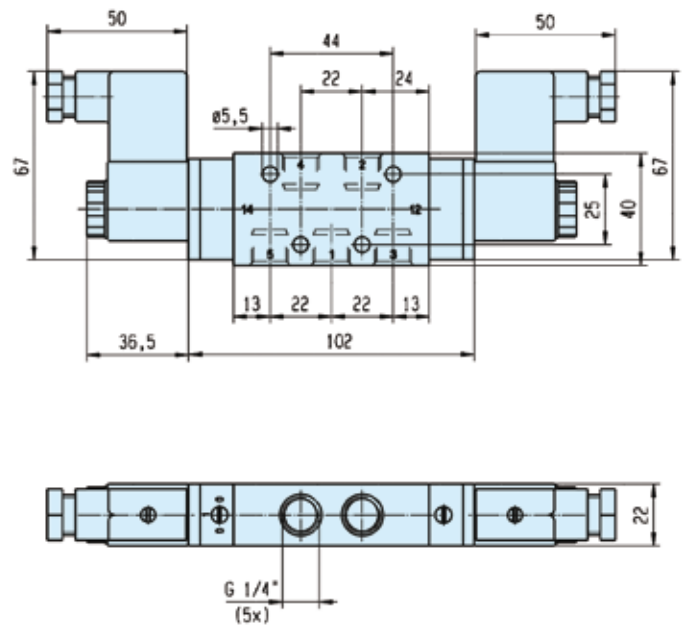


1/4	7	1250	2.5	10	10	50	NBR	347P03	-	496131	3	3	350	-	19
1/4	7	1250	2.5	10	10	50	NBR	347P03	-	496482	3	3	350	-	19
1/4	7	1250	2.5	10	10	50	NBR	347P03	-	496637	3	3	350	-	19

Dimensions Reference 18



Dimensions Reference 19



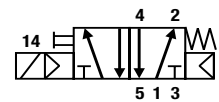
Please consult the "How to Order" part at the end of each coil chapter.

Piped Valves - G1/4" Series

Solenoid Operated Versions P33 Versions with 32-37-40 mm Coil

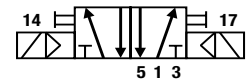
Port size	Orifice	Q _N	Admissible differential pressure (bar) maximum		Maximum admissible fluid temperature (°C)		Seat disc	Reference number			Consumption Power (Watt)		Weight (g)	Elect. Group	Dim. Ref.
			min	DC= AC~	Air & Neutral gases	Valve		Housing	Coil	DC	AC				

5/2 Solenoid operated Combined spring & air return (monostable)



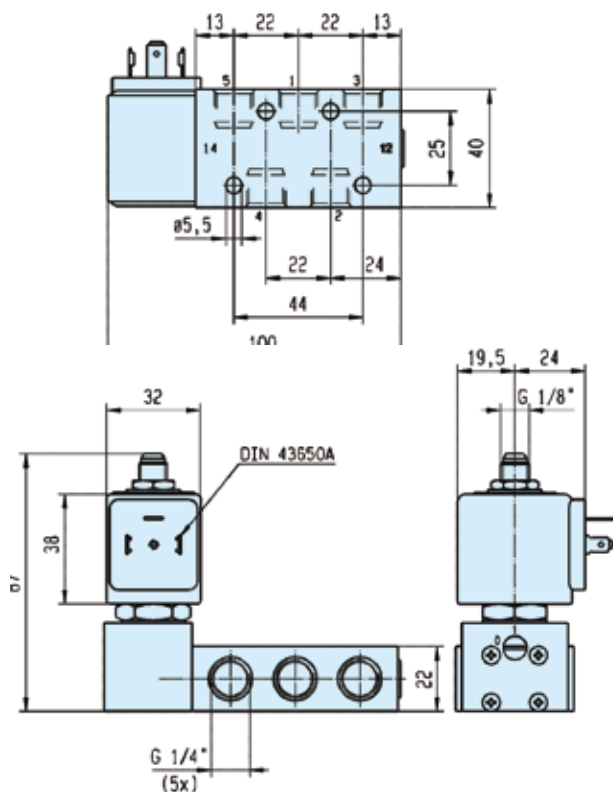
1/4	7	1250	2.5	10	10	50	NBR	341P33	2995	481865	9	8	470	2	20
1/4	7	1250	2.5	10	10	50	NBR	341P33	2995	495870	9	8	490	2	-
1/4	7	1250	2.5	10	10	50	NBR	341P33	-	495905	8	8	810	2	-

5/2 Solenoid operated and return (bistable)

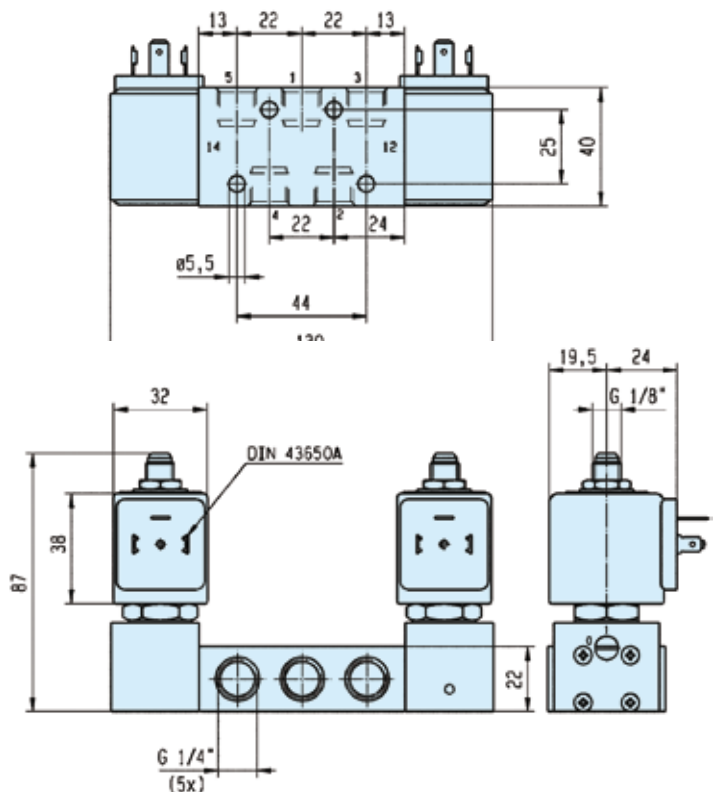


1/4	7	1250	2.5	10	10	50	NBR	347P33	2995	481865	9	8	620	2	21
1/4	7	1250	2.5	10	10	50	NBR	347P33	2995	495870	9	8	640	2	-
1/4	7	1250	2.5	10	10	50	NBR	347P33	-	495905	8	8	960	2	-

Dimensions Reference 20



Dimensions Reference 21

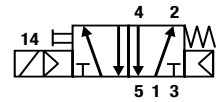


Piped Valves - G1/2" Series

Solenoid Operated Versions P04 Versions with 22 mm Coil

Port size	Orifice	Q _N	Admissible differential pressure (bar) maximum		Maximum admissible fluid temperature (°C)		Seat disc	Reference number			Consumption Power (Watt)		Weight (g)	Elect. Group	Dim. Ref.
			min	DC= AC~	Air & Neutral gases	Valve		Housing	Coil	DC	AC				
G	mm	l/min	min	DC= AC~	Air & Neutral gases			Valve	Housing	Coil	DC	AC			

5/2 Solenoid operated Combined spring & air return (monostable)



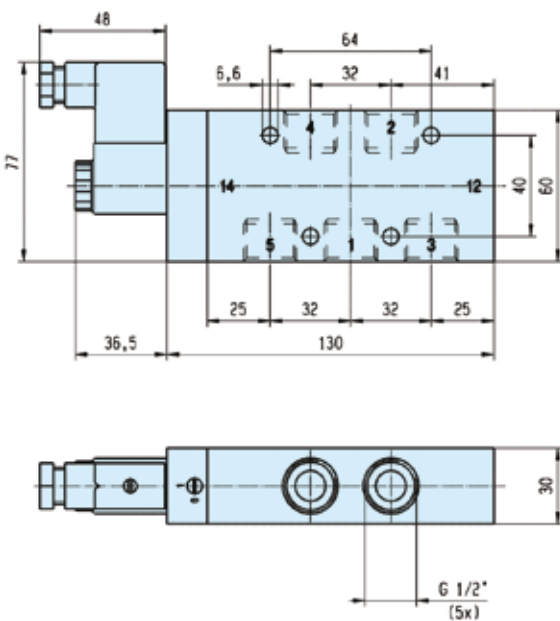
1/2	12	3000	2.5	10	10	50	NBR	341P04	-	496131	3	3	670	-	22
1/2	12	3000	2.5	10	10	50	NBR	341P04	-	496482	3	3	670	-	22
1/2	12	3000	2.5	10	10	50	NBR	341P04	-	496637	3	3	670	-	22

5/2 Solenoid operated and return (bistable)

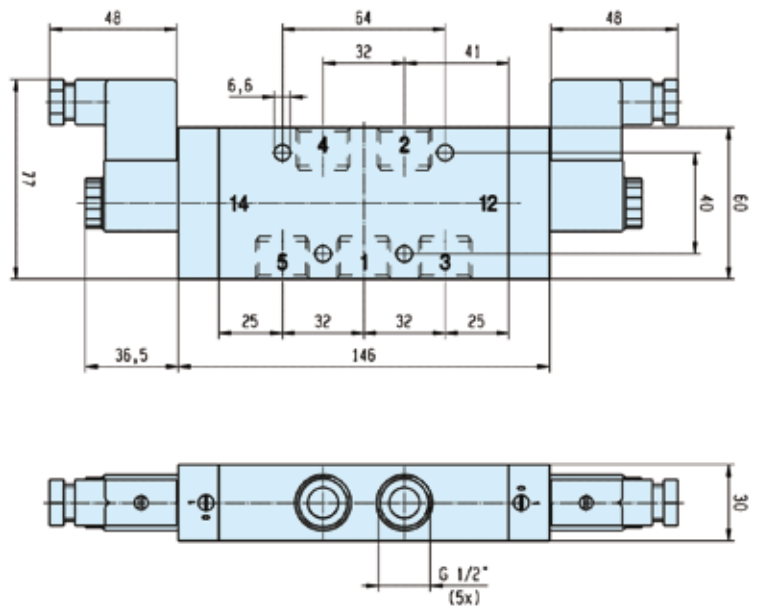


1/2	12	3000	2.5	10	10	50	NBR	347P04	-	496131	3	3	840	-	23
1/2	12	3000	2.5	10	10	50	NBR	347P04	-	496482	3	3	840	-	23
1/2	12	3000	2.5	10	10	50	NBR	347P04	-	496637	3	3	840	-	23

Dimensions Reference 22



Dimensions Reference 23



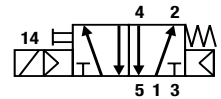
Please consult the "How to Order" part at the end of each coil chapter.

Piped Valves - G1/2" Series

Solenoid Operated Versions P34 Versions with 32/37/40 mm Coil

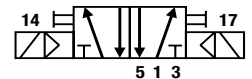
Port size	Orifice	Q _n	Admissible differential pressure (bar)			Maximum admissible fluid temperature (°C)		Seat disc	Reference number			Consumption Power (Watt)		Weight (g)	Elect. Group	Dim. Ref.
			maximum	DC=	AC~	Air & Neutral gases	Valve		Housing	Coil	DC	AC				

5/2 Solenoid operated Combined spring & air return (monostable)



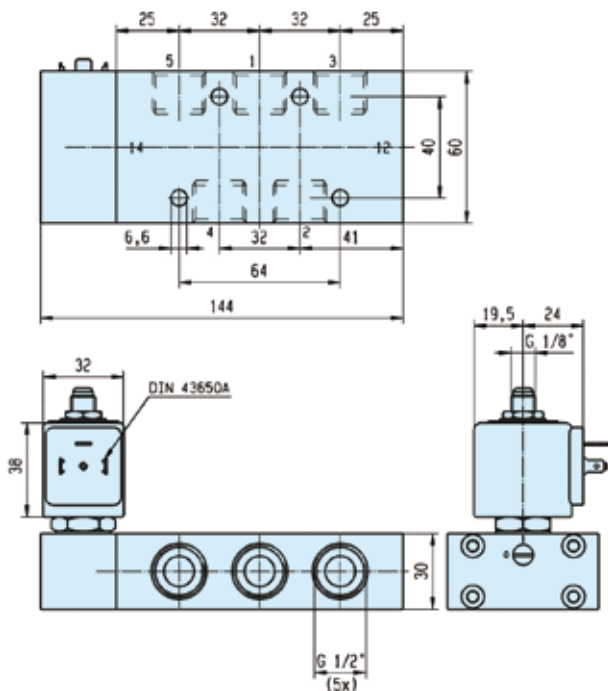
1/2	12	3000	2.5	10	10	50	NBR	341P34	2995	481865	9	8	900	2	24
1/2	12	3000	2.5	10	10	50	NBR	341P34	2995	495870	9	8	920	2	-
1/2	12	3000	2.5	10	10	50	NBR	341P34	-	495905	8	8	1240	2	-

5/2 Solenoid operated and return (bistable)

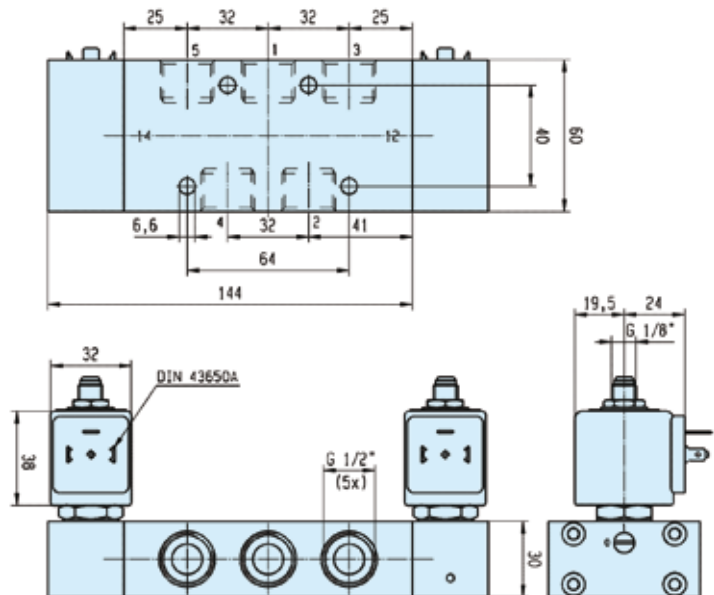


1/2	12	3000	2.5	10	10	50	NBR	347P34	2995	481865	9	8	1240	2	25
1/2	12	3000	2.5	10	10	50	NBR	347P34	2995	495870	9	8	1280	2	-
1/2	12	3000	2.5	10	10	50	NBR	347P34	-	495905	8	8	2080	2	-

Dimensions Reference 24



Dimensions Reference 25



Please consult the "How to Order" part at the end of each coil chapter.


Coils and Spare Parts Informations

Coils 22 mm for N03-N05 Series

Safe Area & ATEX Zone 22

Ref. 496131 / 496482 / 496637

These coils with connection for 2 P+G DIN 43650 B plug are encapsulated in synthetic material, conform to the IEC/CENELEC safety standards and comply with European low voltage directive 73/23/EC .

- Power: 3W
 - Insulation Class: F (155°C)
 - Degree of Protection: IP65 (with plug)
 - Duty Cycle: 100% ED
 - Ambient Temperature: -10°C to 50°C
- 3 different types are available:**
- Ref. 496131 for a safe area without plug
 - Ref. 496482 for a safe area with plug
 - Ref. 496637 for an ATEX area Zone 22 



496637 coil series with connection 2P + G when mounted together with the supplied Pg9 plug (delivered with the coil) are suitable for use in dangerous areas (dust Zone 22) according to the European directive ATEX 94/9/C. Protection mode: Ex tD A22 IP65 - T95°C

Available Voltages	Safe area without DIN plug Order Code	Safe area with DIN plug Order Code	ATEX Zone 22 EX II 3D Order Code
12 VDC	496131 C1	496482 C1	496637 C1
24 VDC	496131 C2	496482 C2	496637 C2
48 VDC	496131 C4	496482 C4	496637 C4
110 VDC	496131 C5	496482 C5	496637 C5
24/50-60 VAC	496131 P0	496482 P0	496637 P0
48/50-60 VAC	496131 S4	496482 S4	496637 S4
110/50-60 VAC	496131 P2	496482 P2	496637 P2
115/60 VAC	496131 K8	496482 K8	496637 K8
230/50-60 VAC	496131 P9	496482 P9	496637 P9

How to Order

The housing kit is already included into the coil reference, so it's not needed to add it with the order code:

Valve Reference Number - Coil Reference - Voltage code = Order code

Example: 341N03 - 496131 C2

Valves and coils may be ordered also separately.

Coils 32 mm / 37 mm / 40 mm for N33-N34-N35 Series

Safe Area

Ref. 481865

These coils can be mounted with every Parker solenoid valves corresponding to the specified Coil Group.
 See column "Coil Group" within valve pages. This is an encapsulated assembly comprising a coil, integral magnetic iron path and snap-on plug connection.

The synthetic material encapsulation provides an effective compact housing, offering full protection against dust, oil, water, etc. Ease of mounting in confined space - offers shock and corrosion protection - simplifies conversion of existing equipment to other requirements, etc.

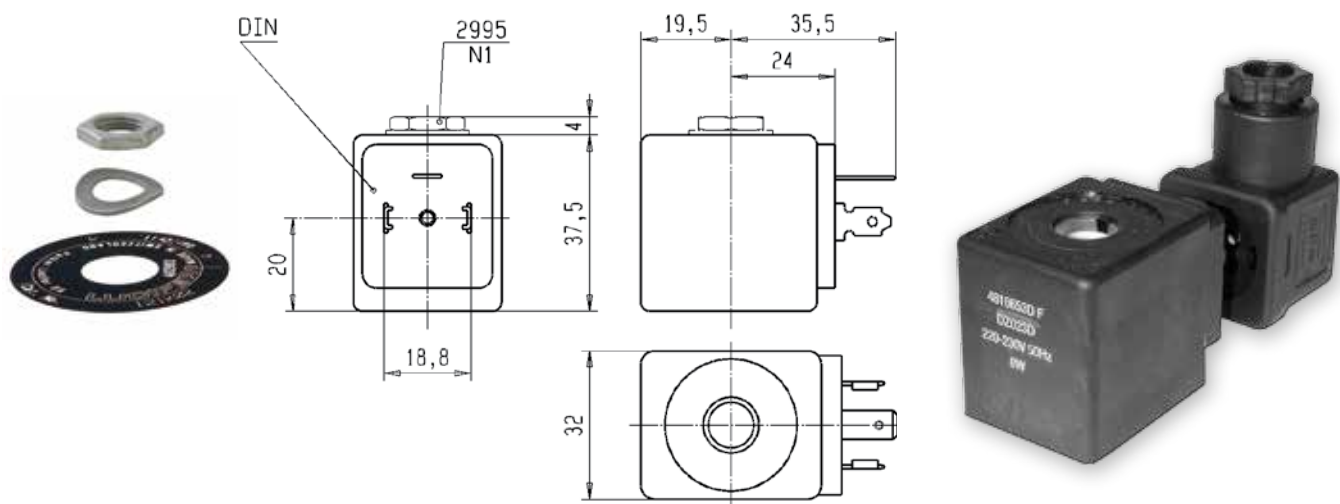
Coils conform to the IEC/CENELEC safety standards and complies with European low-voltage directive.



Specification		Standard	Double frequency				
Ref. (without DIN plug)		481865	483510				
Ref. (with DIN plug)		482725	482635				
Coil Group		2.0 / 2.1					
Degree of protection		IP65 according to IEC / EN 60529 standards (with DIN plug).					
Class of insulation		F 155°C					
Electrical connection		The coil is connected with a 2 P + E plug according to EN 175301-803 type A					
Ambient temperature		-40°C to +50°C - The application is limited also by the temperature range of the valve.					
Elect. Power	DC	Pn (hot)	9 W		-		
		P (cold) 20°C	12 W		-		
	AC	Pn (holding)	8 W		9 W		
		Attraction cold	26 VA (9 W)		32 VA (10 W)		
Weight		130 g (without plug)					
Voltages "Un"		VAC/Hz	Code	VDC	Code	VAC/Hz	Code
-10% to +10% of the Un		24/50	A2	24	C2	24/50, 24/60	P0
		48/50	A4	48	C4	48/50, 48/60	S4
		110/50	A5	110	C5	110-115/50, 120/60	S5
		220-230/50	3D			220-240/50, 240/60	S6

These coils must be used with suitable housings, see example below:

The coil assembly kit **Ref. 2995** corresponds to the "housing" of Lucifer® valve numbering system (Valve - housing - coil - voltage). It is composed of a nameplate giving details of the valve type, a round washer and a nut to ensure the fixing between 32 mm coil and the valve.



How to Order

To Order a Coil choose Coil Ref + Voltage Code

Example: **481865 for 24VDC = 481865C2**

More voltage possibilities can be found in the table of voltage codes at the end of the coil section.

To Order a Valve + Coil Combination:

Example: **341N35-2995-481865C2**

Coils 32 mm / 37 mm / 40 mm for N33-N34-N35 Series

ATEX Zone 2-22

REF. 495870

These coils can be mounted with every Parker ATEX solenoid valves corresponding to the specified Coil Group. See column "Coil Group" within valve pages.

Application: Control of solenoid valves in dangerous areas where explosion-proof protection Ex nc AC IIC T3 to T6 is required.

Ease of mounting in confined space - offers shock and corrosion protection - simplifies conversion of existing equipment to other requirements, etc. Coils conforms to the IEC/CENELEC safety standards and complies with European low-voltage directive.

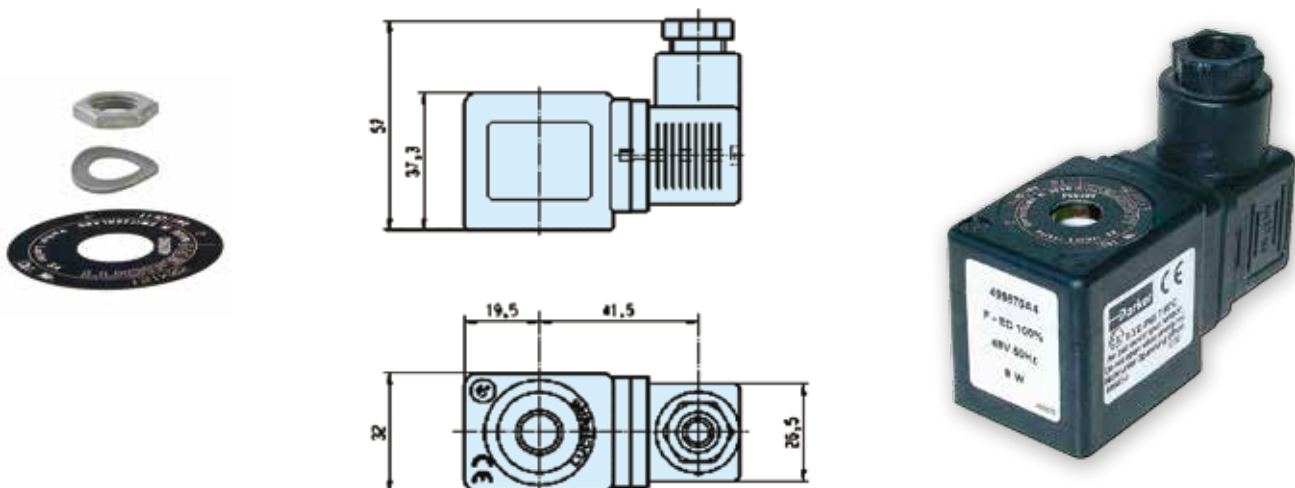
Small size for ease of mounting in confined spaces.



Reference		495870			496110			
Certificate		LCIE 05 ATEX 6003 X						
Coil Group		2.0 / 2.1						
Type of protection	Gas	II 3 G - Ex nc AC IIC T3 / T4			II 3 G - Ex nc AC IIC T3 / T4			
	Dust	II 3 D - Ex tc IIIC - T195°C / T130°C			II 3 D - Ex tc IIIC - T195°C / T130°C			
Degree of protection		IP65 (with plug) according to IEC/EN 60529						
Insulation Class		F (155°C)						
Duty cycle		100%						
Ambiant temperature		-40°C to +50°C The application is limited also by the temperature range of the valve.						
Elect. Power	DC	Pn (hot)	9 W			-		
		P (cold) 20°C	12 W			-		
	AC	Pn (holding)	8 W			9 W		
		Attraction cold	26 VA (9 W)			32 VA (10 W)		
Weight		150 g						
Voltages "Un"		VAC/Hz	Code	VDC	Code	VAC/Hz	Code	
-10% to +10% of the Un		24/50	A2	24	C2	24/50-60	P0	
		48/50	A4	48	C4	48/50-60	S4	
		110/50	A5	110	C5	110/50-60	S5	
		220-230/50	3D			220/50-60	S6	

These coils must be used with suitable housings, see example below:

The coil assembly kit **Ref. 2995** corresponds to the "housing" of Lucifer® valve numbering system (Valve - housing - coil - voltage). It is composed of a nameplate giving details of the valve type, a round washer and a nut to ensure the fixing between 32 mm coil and the valve.



How to Order

To Order a Coil choose Coil Ref + Voltage Code

Example: 495870 for 24VDC = 495870C2

To Order a Valve + Coil Combination:

Example: 341N35-2995-495870C2

Coils 32 mm / 37 mm / 40 mm for N33-N34-N35 Series

ATEX Zone 1-21

Ref. 495905

These coils can be mounted with every Parker ATEX solenoid valves corresponding to the specified Coil Group.

See column "Coil Group" within valve pages.

Application: Control of solenoid valves in dangerous areas where explosion-proof protection Ex db mb IIC T4 is required.

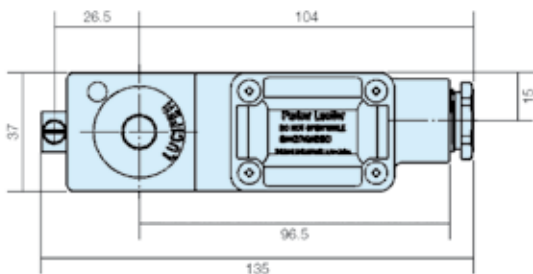
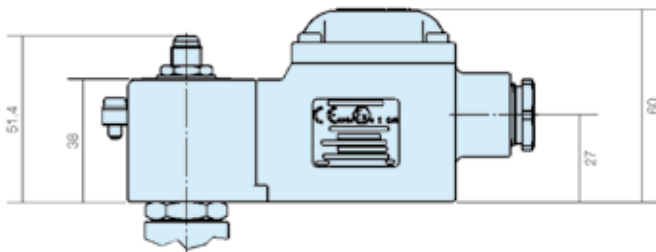
Benefits: Rotatable 360° fibreglass-reinforced plastic housing (class H). Solenoid coil, rectifier (silicium diodes), fuses and varistor protection are completely encapsulated into the coil housing by epoxy resin for shock and corrosion protection.

The plastic housing is delivered with M20 x 1.5 cable gland certified for use "db" protection.

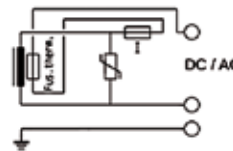
Small size for ease of mounting in confined space.



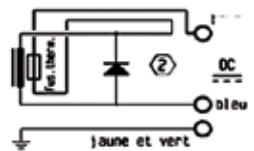
Reference		495905		495905.05	
Certificate		LCIE 03 ATEX 6451 X - IECEx LCI 06.0004 X			
Coil Group		2.0 / 2.1			
Type of protection	Gas	II 2 G - Ex db mb IIC T4			
	Dust	II 2 D - Ex tb IIC - 130°C			
Degree of protection		IP67			
Ambient temperature		-40°C to +65°C The application is limited also by the temperature range of the valve.			
Class of insulation		H (180 °)			
Electrical connection		Electric connection is done in the connection box on an easily accessible connector terminals. The introduction of the cable (Ø min 5 mm, Ømax. 11 mm, section max. 2.5 mm²) in the connection box passes by the built in M20 x 1.5 cable gland.			
Elect. Power	DC	Pn (hot)	8 W		
		P (cold) 20°C	9 W		
	AC	Pn (holding)	8 W		
		Attraction cold	9 W		
Voltages "Un"		VAC/Hz	Code	VDC	Code
-10% to +10% of Un for AC		24/50	A2	24	C2
- 10 % to + 10 % for Un DC.		48/50	A4	48	C4
		115/50	E5	110	C5
		230/50	F4		



495905



*495905.05



How to Order

To Order a Coil choose Coil Ref + Voltage Code

Example: 495905 for 24VDC = 495905C2

To Order a Valve + Coil Combination:

Example: 341N35-495905C2



Spare Parts Mounting Kit and Accessories

Kit for G1/4" Models without conversion plate (N x 3 Series)



Kit includes the 2 mounting screws M5 x 25 A2, the dowel pin M5 x 10 A2, the 2 O-rings NBR 15 x 2.5

Order code: 496132

Kit for G1/4" Models with conversion plate (N x 5 Series)



Kit includes the 2 mounting screws M5 x 35 A2, the dowel pin M5 x 20 A2, the conversion plate equipped with its seals

Order code: 496742 (equipped plate)

Order code: 496852 (screws + pin)



Kit for G1/2" Models (N x 4 Series)

Kit includes the 2 mounting screws M6 x 35 A2, the dowel pin M6 x 12 A2, the 2 O-rings NBR 24 x 3

Order code: 496133



Exhaust Flow Regulators

Material Body:	Brass	Filter element:	Sintered bronze
Spring:	Stainless Steel	Seal:	NBR

G1/8" Order code: 496551

G1/4" Order code: 496552

G1/2" Order code: 496553



Connector for 22 mm Coil

Connector DIN43650 AB Pg9 2P+E

Order code: 481043



Housing for 22 mm Coil

Plastic nut with O-ring

Order code: 3125



Connector for 32 mm Coil

Connector DIN43650 AA Pg9 2P+E

Order code: 486586

