

- Compact body ported units
- Port sizes G1/8 and G1/4
- Unique deflector plate ensuring maximum water and particulate removal
- Solid control piston with lip seal for extended life.
- Proportional oil delivery over a wide range of air flows.



Operating information

Working pressure:	Max 10 bar
Working temperature:	0 °C to +52 °C

Flow characteristics

Flow	Filter	11 l/s
	Regulator	9,3 l/s
	Filter Regulator	9,3 l/s
	Lubricator	10 l/s

For more information see www.parker.com/euro_pneumatic

Filters - 5 micron element, transparent bowl

Port size	Description	Order Code
G1/8	Manual drain	14F01BB1
G1/8	Auto drain	14F05BB1
G1/4	Manual drain	14F11BB1
G1/4	Auto drain	14F15BB1
	Mounting bracket	PS417BP

Regulators - relieving type - non relieving options available

Port size	Description	Order Code
G1/8	2 bar	14R010FC1
G1/8	4 bar	14R011FC1
G1/8	8 bar	14R013FC1
G1/4	2 bar	14R110FC1
G1/4	4 bar	14R111FC1
G1/4	8 bar	14R113FC1
	Mounting bracket (Includes panel mounting nut)	PS417BP

Lubricators - transparent bowl

Port size	Order Code
G1/8	04L00GB1
G1/4	04L10GB1
	Mounting bracket
	PS419

Pressure Gauges

	Order Code
0 - 2 bar	P3D-KAB1AYN
0 - 4 bar	P3D-KAB1ALN
0 - 8 bar	P3D-KAB1ANN

Coalescing Filters - 0.01 micron element

Port size	Description	Order Code
Poly bowl		
G1/8	Manual drain	10F01ED1
G1/8	Auto drain	10F05ED1
G1/4	Manual drain	10F11ED1
G1/4	Auto drain	10F15ED1
	Mounting bracket	PS417BP

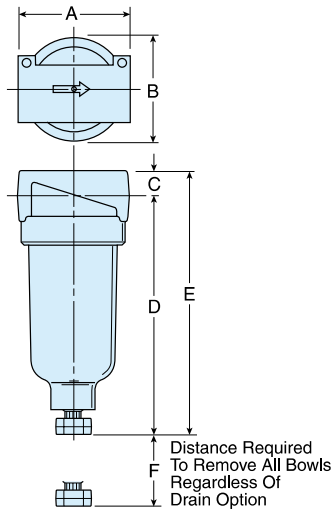
Filter/Regulators

- transparent bowl - 2 and 4 bar and non relieving options available

Port size	Description	Order Code
G1/8	2 bar, manual drain	14E01B10FC1
G1/8	2 bar, auto drain	14E05B10FC1
G1/4	2 bar, manual drain	14E11B10FC1
G1/4	2 bar, auto drain	14E15B10FC1
G1/8	4 bar, manual drain	14E01B11FC1
G1/8	4 bar, auto drain	14E05B11FC1
G1/4	4 bar, manual drain	14E11B11FC1
G1/4	4 bar, auto drain	14E15B11FC1
G1/8	8 bar, manual drain	14E01B13FC1
G1/8	8 bar, auto drain	14E05B13FC1
G1/4	8 bar, manual drain	14E11B13FC1
G1/4	8 bar, auto drain	14E15B13FC1
	Mounting bracket (Includes panel mounting nut)	PS417BP

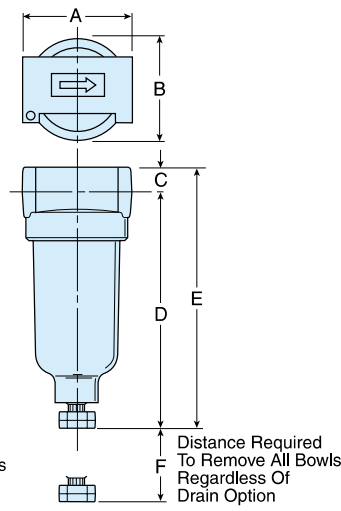
Dimensions (mm)

Filters



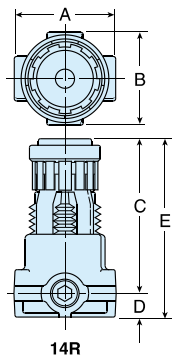
A	B	C	D	D ⁺	E	E ⁺	F
43	39	10	97	99	107	108	41

Coalescing Filters



A	B	C	D	D ⁺	E	E ⁺	F
43	39,6	10	97	93	107	103	41

Regulators

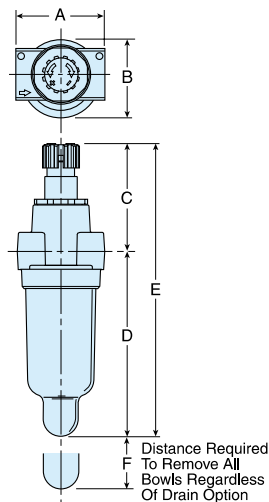


14R	A	B	C	D	E
	42	40	63,5	10	731

14R**L*	A	B	C	D	E
	42	40	57,9	10	68

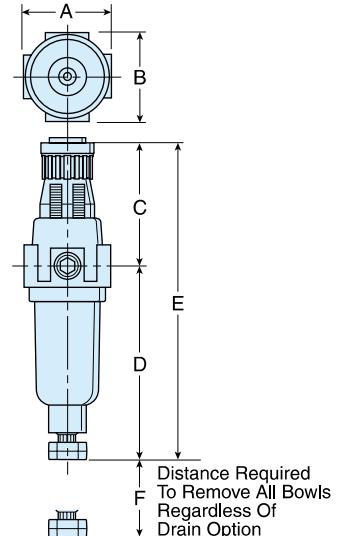
14RM	A	B	C	D	E	F	G	H	J
	38	38	60	13	73	30	15	8	18

Lubricators



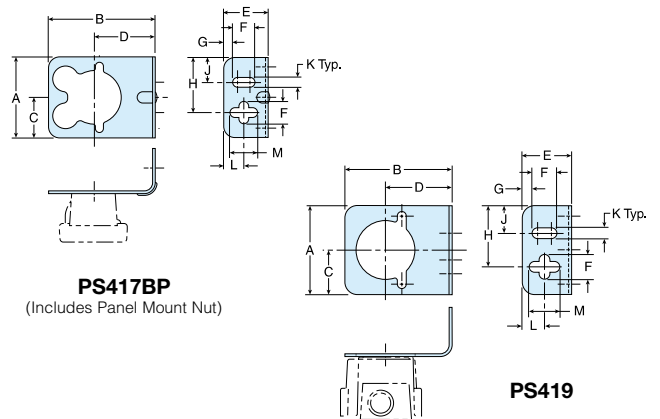
A	B	C	D	D ⁺	E	E ⁺	F
44	40	55	92	96	147	151	41

Filter/Regulators



A	B	C	D	D ⁺	E	E ⁺	F
41	40	61	96	92	158	154	41

Mounting Bracket Kits



PS417BP - 10F, 14F, 14R, 14E

A	B	C	D	E	F	G	H	J	K	L	M
46	60	23	34	25	13	5	31	14	6	11	16

PS419 - 04L

A	B	C	D	E	F	G	H	J	K	L	M
46	55	23	34	25	13	5	31	14	6	11	16

Service kits

Description	Order Code
5 micron particulate element	PS403P
0.01 micron coalescing element	PS446P
Poly bowl with manual drain	PS404P
Poly bowl with pulse drain	PS408BP
Lubricator bowl	PS421P
Regulator	
Relieving type	PS422P
Non-relieving type	PS428P