

- Port size G<sup>1</sup>/<sub>4</sub> - G<sup>3</sup>/<sub>8</sub>
- Modular air preparation series
- Robust and lightweight zinc body construction
- Rolling diaphragm for extended life
- Soft start valve for slow pressure build up in pneumatic circuits
- Dump valves for quick downstream pressure exhaust
- Tamperproof regulator options available
- Secondary pressure ranges 4, 8 and 16 bar



### Operating information

Working pressure:	Max 16 bar
Working temperature:	0 °C to +50 °C
* Low temperature capabilities -40°C for Filters, Filter/Regulators and Regulators on request.	

### Flow characteristics

Flow m <sup>3</sup> /h	1/4	3/8
Filter + Regulator + Lubricator	50	47
Filter-Regulator + Lubricator	53	47
Filter-Water-Separator	86	91
Dust Filter	80	97
Coalescing Filter	35	35
Adsorber Filter	35	35
Regulator	171	198
Filter Regulator	137	192
Lubricator	110	113

### Filters

5 micron (40 micron options available)

Port size	Description	Order Code
G1/4	Standard with 5μ element	<b>P3SFA12EPPN</b>
G1/4	Semi auto drain 5μ element	<b>P3SFA12EPSN</b>
G1/4	Auto drain 5μ element	<b>P3SFA12EPAN</b>
G1/4	Metal bowl with sight glass 5μ element	<b>P3SFA12ESPN</b>
G3/8	Standard with 5μ element	<b>P3SFA13EPPN</b>
G3/8	Semi auto drain 5μ element	<b>P3SFA13EPSN</b>
G3/8	Auto drain 5μ element	<b>P3SFA13EPAN</b>
G3/8	Metal bowl with sight glass 5μ element	<b>P3SFA13ESPN</b>

### Regulators

4, 8 & 16 bar (non relieving options available)

Port size	Description	Order Code
G1/4	Standard 8 bar	<b>P3SRA12BNNP</b>
G1/4	Standard 8 bar with Gauge	<b>P3SRA12BNGP</b>
G1/4	With adaptor for key lock	<b>P3SRA12BANP</b>
G1/4	With common p1 supply	<b>P3SHA12BNNP</b>
G1/4	Pilot operated	<b>P3SRA12BPPP</b>
G3/8	Standard 8 bar	<b>P3SRA13BNNP</b>
G3/8	Standard 8 bar with Gauge	<b>P3SRA13BNGP</b>
G3/8	With adaptor for key lock	<b>P3SRA13BANP</b>
G3/8	With common p1 supply	<b>P3SHA13BNNP</b>
G3/8	Pilot operated	<b>P3SRA13BPPP</b>

### Coalescing Filters

0,01 micron element

Port size	Description	Order Code
G1/4	Standard with manual drain	<b>P3SFA12CPPN</b>
G1/4	Metal bowl with sight glass	<b>P3SFA12CSPN</b>
G3/8	Standard with manual drain	<b>P3SFA13CPPN</b>
G3/8	Metal bowl with sight glass	<b>P3SFA13CSPN</b>

### Adsorber Filters

Port size	Description	Order Code
G1/4	Standard with manual drain	<b>P3SFA12APPN</b>
G1/4	Metal bowl with sight glass	<b>P3SFA12ASPN</b>
G3/8	Standard with manual drain	<b>P3SFA13APPN</b>
G3/8	Metal bowl with sight glass	<b>P3SFA13ASPN</b>

### Lubricators

Port size	Description	Order Code
G1/4	Standard	<b>P3SLA12LPNN</b>
G1/4	Closed metal bowl with sight glass	<b>P3SLA12LSNN</b>
G3/8	Standard	<b>P3SLA13LPNN</b>
G3/8	Closed metal bowl with sight glass	<b>P3SLA13LSNN</b>

**Filter + Regulator + Lubricator combination**

(wall bracket mount and gauge included)

Port size	Description	Order Code
G1/4	Standard with 5µ element, manual drain	<b>P3SCB12PEPNGLNW</b>
G1/4	Semi auto drain 5µ element, manual drain	<b>P3SCB12PESNGLNW</b>
G1/4	Auto drain 5µ element, manual drain	<b>P3SCB12PEANGLNW</b>
G3/8	Standard with 5µ element, manual drain	<b>P3SCB13PEPNGLNW</b>
G3/8	Semi auto drain 5µ element, manual drain	<b>P3SCB13PESNGLNW</b>
G3/8	Auto drain 5µ element, manual drain	<b>P3SCB13PEANGLNW</b>

**Filter/Regulators**

4, 8 &amp; 16 bar (40 micron options available)

Port size	Description	Order Code
G1/4	Standard with 5µ element	<b>P3SEA12EPPBNNN</b>
G1/4	Semi auto drain 5µ element	<b>P3SEA12EPSBNNN</b>
G1/4	Auto drain 5µ element	<b>P3SEA12EPABNNN</b>
G1/4	Metal bowl with sight glass 5µ element	<b>P3SEA12ESPNGLNW</b>
G3/8	Standard with 5µ element	<b>P3SEA13EPPBNNN</b>
G3/8	Semi auto drain 5µ element	<b>P3SEA13EPSBNNN</b>
G3/8	Auto drain 5µ element	<b>P3SEA13EPABNNN</b>
G3/8	Metal bowl with sight glass 5µ element	<b>P3SEA13ESPNGLNW</b>

**Proportional Pressure Regulator**

Port size	Description	Order Code
G1/4	Normally closed, Control Signal 0-10V Pressure Range 0-10 bar	<b>P3SPA12AD2VA2A</b>
G1/4	Normally closed, Control Signal 4-20mA Pressure Range 0-10 bar	<b>P3SPA12AD2AA2A</b>
G1/4	Normally open / fail safe Control Signal 0-10V Pressure Range 0-10 bar	<b>P3SPA12ED2VA2A</b>
G1/4	Normally open / fail safe Control Signal 4-20mA Pressure Range 0-10 bar	<b>P3SPA12ED2AA2A</b>
G3/8	Normally closed, Control Signal 0-10V Pressure Range 0-10 bar	<b>P3SPA13AD2VA2A</b>
G3/8	Normally closed, Control Signal 4-20mA Pressure Range 0-10 bar	<b>P3SPA13AD2AA2A</b>
G3/8	Normally open / fail safe Control Signal 0-10V Pressure Range 0-10 bar	<b>P3SPA13ED2VA2A</b>
G3/8	Normally open / fail safe Control Signal 4-20mA Pressure Range 0-10 bar	<b>P3SPA13ED2AA2A</b>

**Filter/Regulator + Lubricator combination**

(wall bracket mount and gauge included)

Port size	Description	Order Code
G1/4	Standard with 5µ element, manual drain	<b>P3SCA12PEPNGLNW</b>
G1/4	Semi auto drain 5µ element	<b>P3SCA12PESNGLNW</b>
G1/4	Auto drain 5µ element	<b>P3SCA12PEANGLNW</b>
G1/4	Metal bowl with sight glass 5µ element	<b>P3SCA12SEPNGLNW</b>
G3/8	Standard with 5µ element, manual drain	<b>P3SCA13PEPNGLNW</b>
G3/8	Semi auto drain 5µ element	<b>P3SCA13PESNGLNW</b>
G3/8	Auto drain 5µ element	<b>P3SCA13PEANGLNW</b>
G3/8	Metal bowl with sight glass 5µ element	<b>P3SCA13SEPNGLNW</b>

**Slider Valve**

Port size	Description	Order Code
G1/4	3/2 way shut off valve 3-fold lockable	<b>P3SVA12LSN</b>
G3/8	3/2 way shut off valve 3-fold lockable	<b>P3SVA13LSN</b>

**Soft Start Valve & Dump Valves**

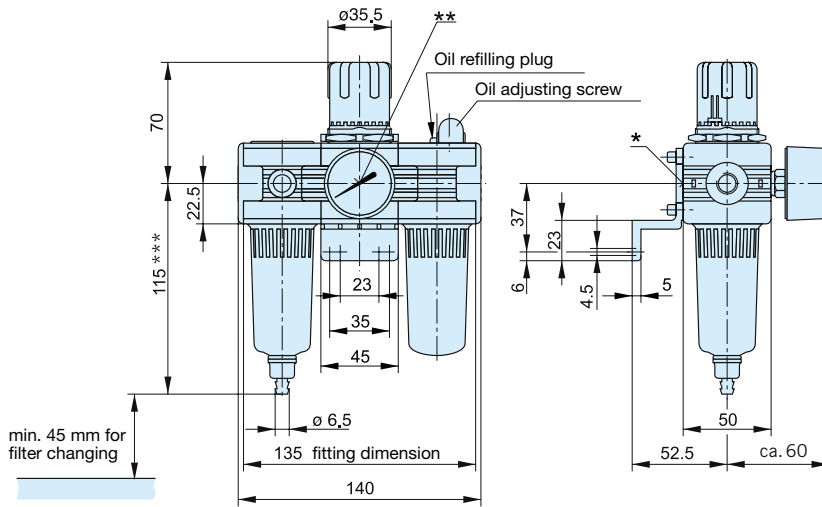
Port size	Description	Order Code
G1/4	Soft Start Valve	<b>P3SSA12Y0N</b>
G1/4	Dump Valve Air Pilot	<b>P3SDA12PPN</b>
G1/4	Solenoid Pilot 24V =	<b>P3SDA12SCNB2CN</b>
G1/4	Solenoid Operated (solenoid not included)	<b>P3SDA12SCN0000</b>
G3/8	Soft Start Valve	<b>P3SSA13Y0N</b>
G3/8	Dump Valve Air Pilot	<b>P3SDA13PPN</b>
G3/8	Solenoid Pilot 24V =	<b>P3SDA13SCNB2CN</b>
G3/8	Solenoid Operated (solenoid not included)	<b>P3SDA13SCN0000</b>

**Accessories**

Description	Order Code
Wall Mount Kit - standard	<b>P3SKA00MW</b>
Wall Mount Kit for common p1 regulator	<b>P3SKA00MB</b>
Assembly Kit	<b>P3SKA00CB</b>
Branch manifold, 3 x G1/8, 1 x G1/4 for pressure switch incl. assembly material	<b>P3SMA1V0N</b>
Gauge Ø 40, 0-10 bar, G1/8	<b>KZ8813-00</b>
Lock for tamperproof regulator	<b>P3XKA00AS</b>

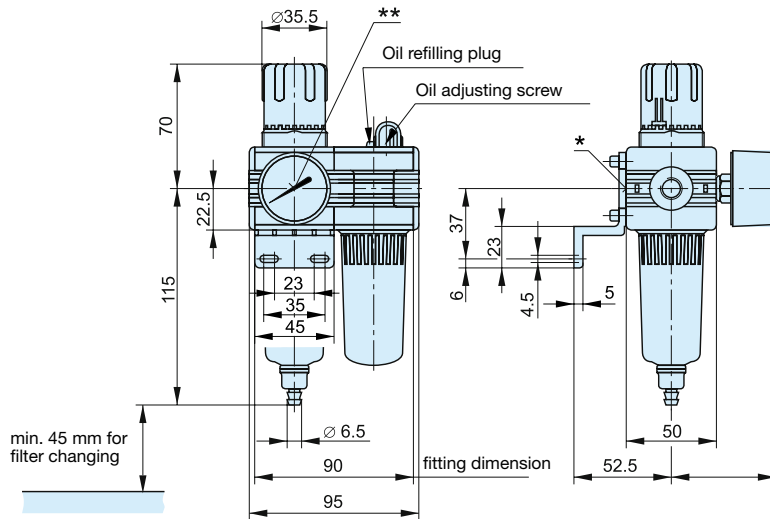
**Dimensions (mm)**

**Filter + Regulator + Lubricator combination**



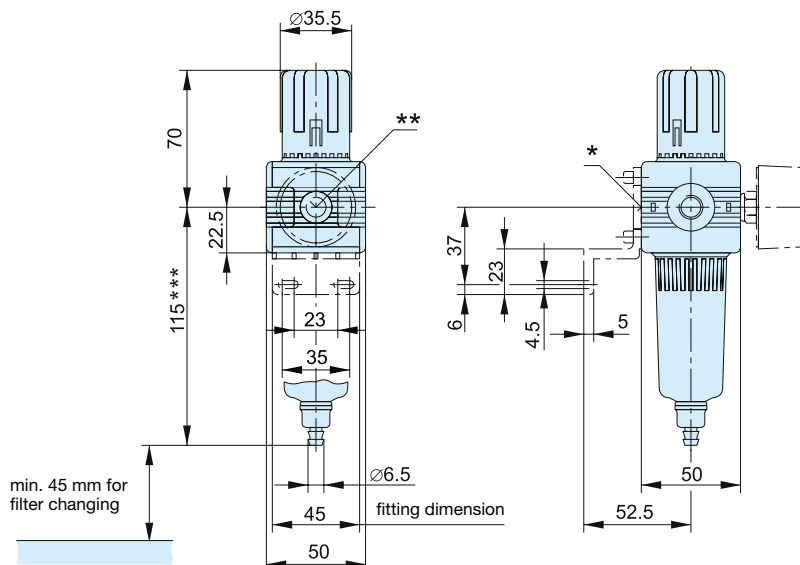
- \* On delivery the plug screw is not assembled
- \*\* Two opposite gauge ports G1/8
- \*\*\* 148 mm on version with automatic drainage

**Filter/Regulator + Lubricator combination**



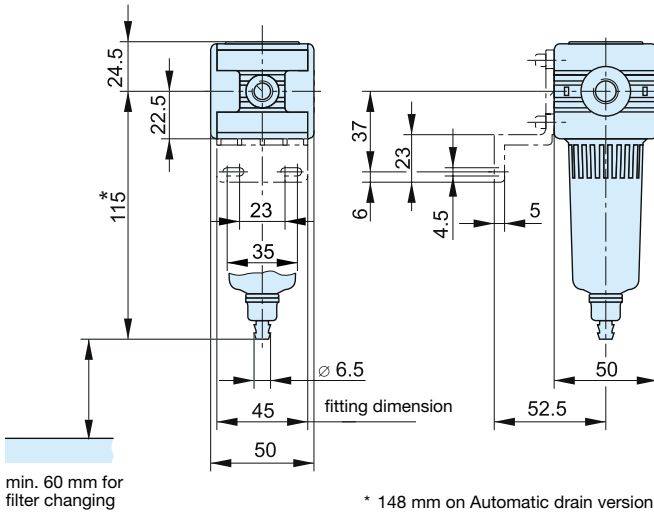
- \* On delivery the plug screw is not assembled
- \*\* Two opposite gauge ports G1/8
- \*\*\* 148 mm on version with automatic drainage

**Filter/Regulator**

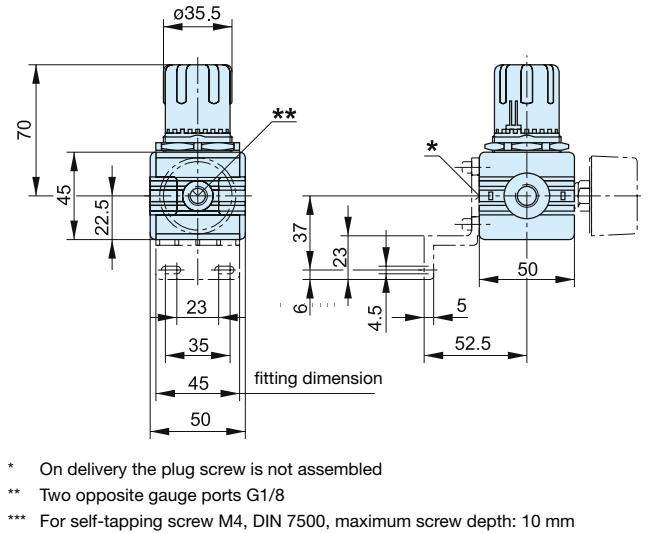


**Dimensions (mm)**

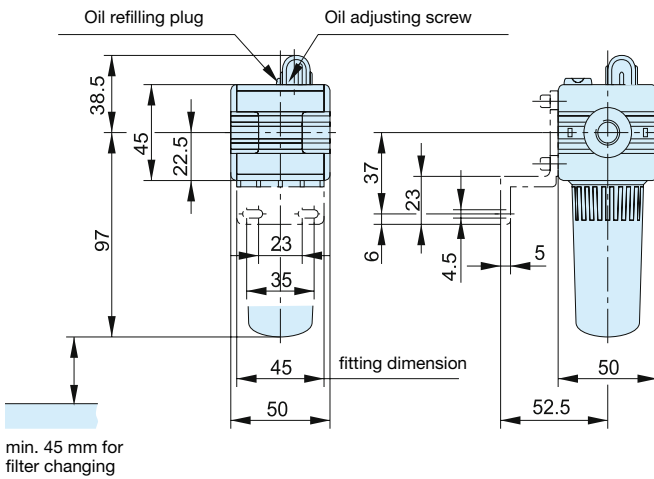
**Filter**



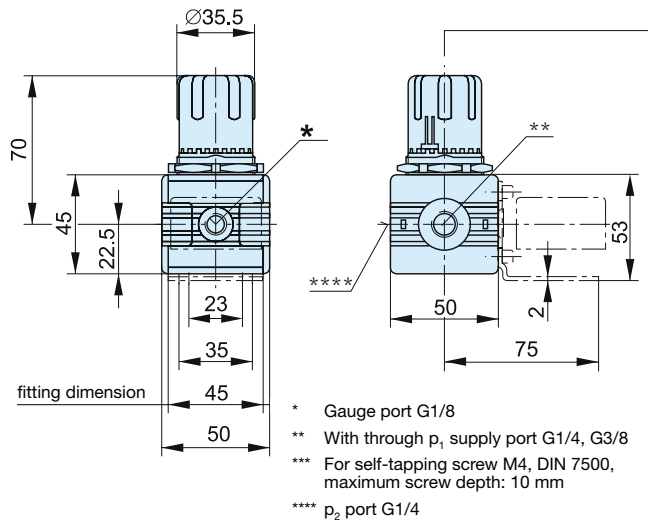
**Regulator**



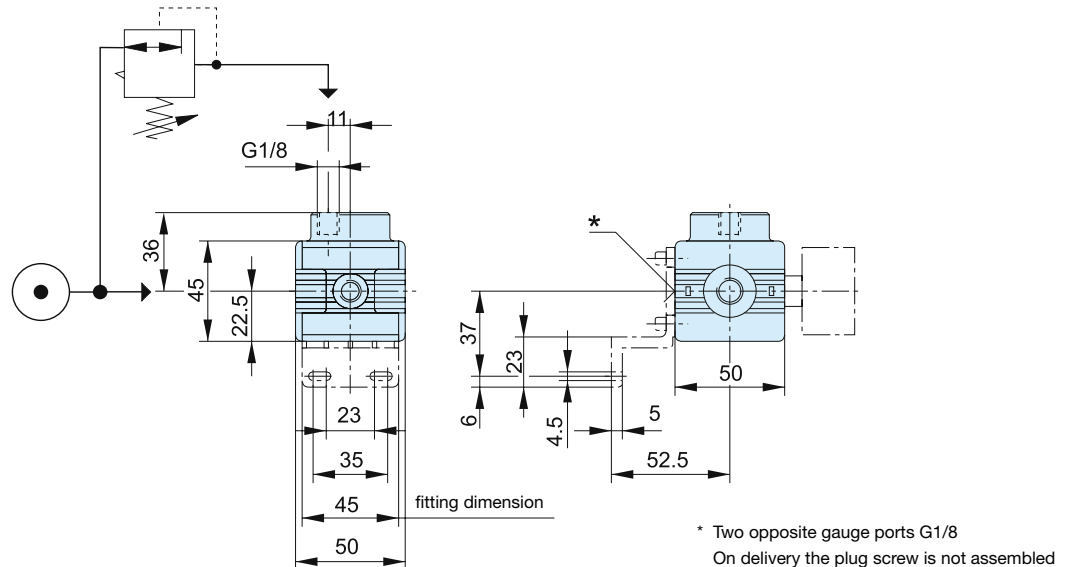
**Lubricator**



**Common - P1 Regulator**

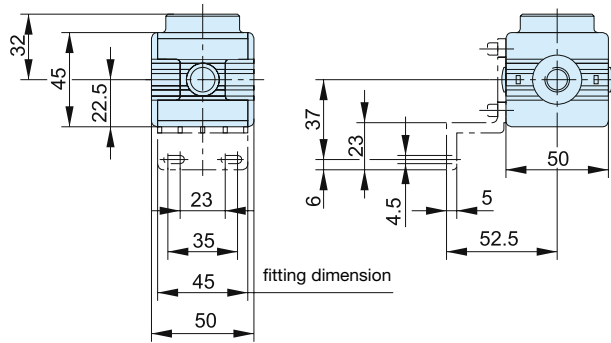


**Pilot Operated Regulator**

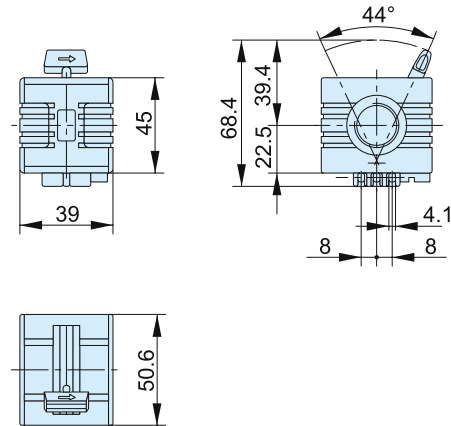


**Dimensions (mm)**

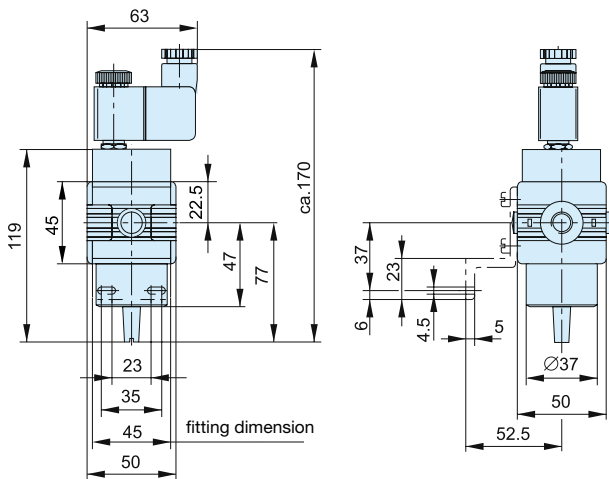
**Start Valve**



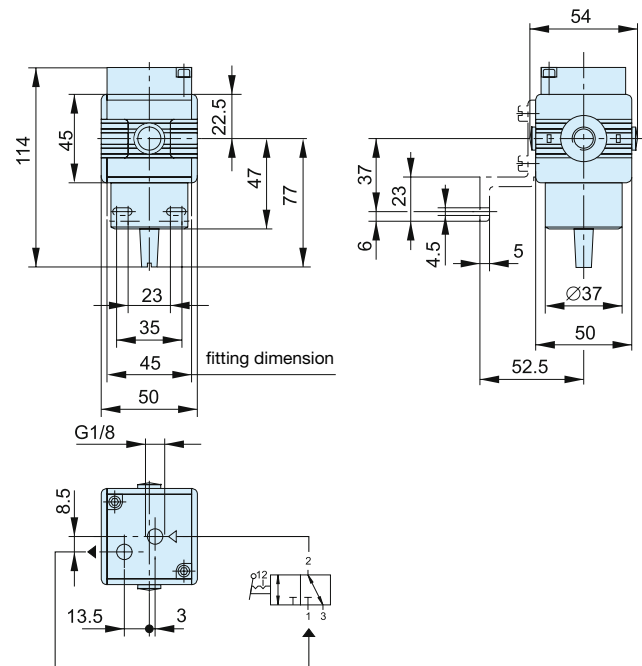
**Slider Valve**



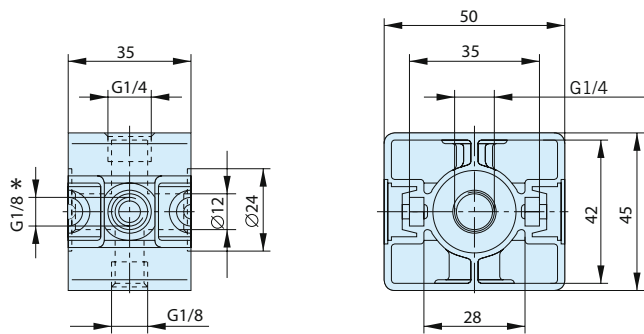
**Remote Operated Dump Valve (electrically actuated)**



**Remote Operated Dump Valve (pneumatically actuated)**



**Branch Manifold**



\* G1/8 thread on both sides